

the Choc & Cino™

Instruction Book - Suits all LMF200 Models



Breville®



Contents

- 2 Breville Recommends Safety First
- 6 Components
- 7 Control Panel
- 8 Assembly
- 8 How to Use Your Milk Frother
- 10 Guide to Milk Frothing
- 11 Care, Cleaning & Storage
- 12 Hints & Tips
- 13 Troubleshooting

BREVILLE RECOMMENDS SAFETY FIRST

At Breville we are very safety conscious. We design and manufacture consumer products with the safety of you, our valued customer, foremost in mind. In addition, we ask that you exercise a degree of care when using any electrical appliance and adhere to the following precautions.

**READ ALL INSTRUCTIONS
BEFORE USE AND SAVE
FOR FUTURE REFERENCE**

- Carefully read all instructions before operation and save for future reference.
- Remove and safely discard any packaging material and promotional labels before using the milk frother for the first time.
- To eliminate a choking hazard for young children, remove and safely discard the protective cover fitted to the power plug of this appliance.
- Do not place the milk frother near the edge of a bench or table during operation.
- Do not place the appliance on or near a hot gas burner, electric element or where it could touch a heated oven.
- Do not operate the appliance on a sink drain board.
- Ensure that the surface is level, clean and free of water.
- The milk frother is not intended to be operated by means of an external timer or separate remote-control system.
- To protect against electric shock, do not immerse the power base, power cord or power plug in water or allow moisture to come in contact with these parts.

- Always switch the milk frother off at the power outlet and unplug if appliance is to be left unattended, if not in use, before cleaning, before attempting to move the appliance, disassembling, assembling and when storing the appliance.
- The milk frother is not intended for use by young children or infirm persons unless they have been adequately supervised by a responsible person to ensure they can use the appliance safely.
- The milk frother has been designed specifically for the purpose of foaming milk and other dairy milk alternatives and is not intended to thicken or heat other food substances e.g. cream, custards, soups, gravies.
- The milk frother is not designed to mix a large quantity of dry ingredients or melt large food pieces e.g. cubed chocolate, ground nuts, whole spices, fresh herbs.
- The underside of the jug must always be dry before placing onto power base before use.
- The jug must only be used with the power base provided. Do not use attachments other than those provided with the milk frother.
- Attach the jug lid securely to the jug before operation. Do not open the jug lid during operation.
- Use caution when operating unit as heating the metal jug surface is liable to get hot during use.
- The heating element surface is subject to residual heat after use. Do not touch as it can cause serious burn injury.
- Use caution when pouring foamed milk from the jug after heating as hot milk may scald at high temperatures.
- Do not operate the appliance without liquid. Always fill to at least the 'MIN' marking and no more than the 'MAX' markings inside the jug.
- Ensure to use the correct frothing attachment as instructed in the instructions.
- Do not put metal or similar items into the jug as this may damage or affect the operation of the unit.
- Keep the appliance and accessories clean. Follow the Care, Cleaning and Storage instructions provided on Page 11.

IMPORTANT SAFEGUARDS FOR ALL ELECTRICAL APPLIANCES

- Fully unwind the power cord before use.
- Connect only to 230V or 240V power outlet.
- Do not let the power cord hang over the edge of a bench or table, touch hot surfaces or become knotted.
- To protect against electric shock, do not immerse the power cord, power plug or appliance in water or any other liquid, unless it is recommended in the cleaning instructions.
- The appliance is not intended for use by persons (including children) with reduced physical, sensory or mental capabilities, or lack of experience and knowledge, unless they have been given supervision or instruction concerning use of the appliance, by a person responsible for their safety.
- Children should be supervised to ensure that they do not play with the appliance.
- It is recommended to inspect the appliance regularly. Do not use the appliance if the power supply cord, plug, connector or appliance becomes damaged in anyway. Return the entire appliance to the nearest authorised Breville Service Centre for examination and/or repair.
- Any maintenance other than cleaning should be performed at an authorised Breville Service Centre.
- This appliance is for household use only. Do not use this appliance for other than its intended use. Do not use in moving vehicles or boats. Do not use outdoors. **Misuse may cause injury.**
- The installation of a residual current device (safety switch) is recommended to provide additional safety protection when using electrical appliances. It is advisable that a safety switch with a rated residual operating current not exceeding 30mA be installed in the electrical circuit supplying the appliance. See your electrician for professional advice.

- During electrical storms, the appliance should be disconnected from the power source at the wall socket to prevent any electrical surges that may arise during the storm and which may inadvertently cause damage to the appliance and its electronic componentry.
- Always turn the appliance to the OFF position, switch off at the power outlet and unplug at the power outlet when the appliance is not in use.
- Before cleaning, always turn the appliance to the OFF position, switch off at the power outlet, unplug at the power outlet and remove the power cord, if detachable, from the appliance and allow all parts to cool.
- Do not place this appliance on or near a heat source, such as hot plate, oven or heaters.
- Position the appliance at a minimum distance of 20cm away from walls, curtains and other heat or steam sensitive materials and provide adequate space above and on all sides for air circulation.

 **WARNING**

Always ensure frothing or milking disc is inserted firmly into jug before use.

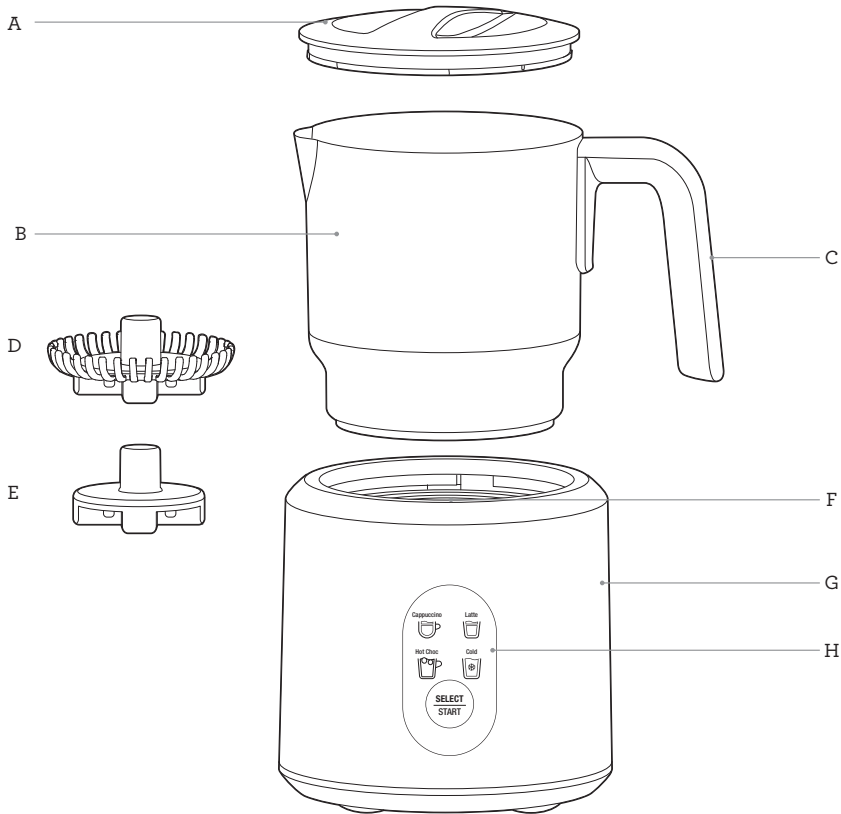
 **WARNING**

The frothing and milking discs are choking hazards. Children must always be supervised and never left unattended with appliance.

**FOR HOUSEHOLD USE ONLY
SAVE THESE INSTRUCTIONS**



Components



- A. Transparent Jug Lid and Lid Seal**
To ensure no spillage during operation, and act as a viewing window while in operation
- B. Dishwasher-Safe Milk Jug**
Stainless steel jug with inner measurement markings and pouring spout
- C. Jug Handle**
For easy handling during and after operation
- D. Magnetic Frothing Disc**
Froths milk for cappuccino, latte and hot

- E. Magnetic Mixing Disc**
Mixes hot or cold milk for flat white, chai tea, and iced coffee
- F. Heating Plate**
For even heating
- G. Power Base**
- H. Control Panel**
For easy operation

Not Shown

- Milk jug shaft
- Non-slip feet
- Magnetic disc storage compartment
- Power Cord



Control Panel



A. SELECT/START button

To select the desired function and to turn the milk frother on and off

B. HOT CHOC

To make hot milk for hot chocolate

C. COLD

To make cold or room temperature milk froth for iced coffees

D. CAPPUCCINO

To make hot milk froth for cappuccinos

E. LATTE

To make hot milk froth for lattes



Assembly

BEFORE FIRST USE

Remove all promotional labels and packaging materials from the milk frother. Ensure that all parts and accessories listed are included before discarding the packaging.

The mixing and frothing discs are packaged separately. Remove the discs from the packaging before cleaning.

Wash the milk jug, frothing disc, mixing disc, lid and lid seal in warm soapy water and dry thoroughly. Wipe exterior with a soft damp cloth and dry thoroughly. Reassemble before use.



WARNING

Never immerse the power base, power cord or power plug in water or allow moisture to come into contact with these parts.



Functions

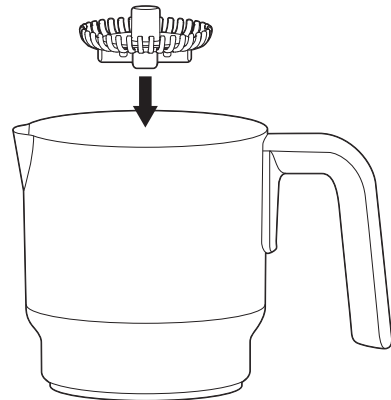
HOW TO USE YOUR MILK FROTHER



NOTE

One magnetic disc may be stored using the magnetic base storage compartment under the milk frother. The other can be stored inside the jug when not in use.

1. Place the milk frother on a dry, stable and level surface. Insert the power plug into a 230V or 240V power outlet and switch on at the power outlet. The milk frother will beep once to indicate that it is in standby mode.
2. Lift the milk jug using the handle to remove from the power base and remove the transparent lid from the milk jug.
3. Insert the mixing or frothing disc onto the milk jug shaft of the milk jug. The magnetic pull will secure the disc into place.



4. Pour the required amount of cold, fresh or freshly opened milk into the milk jug and replace the transparent lid.

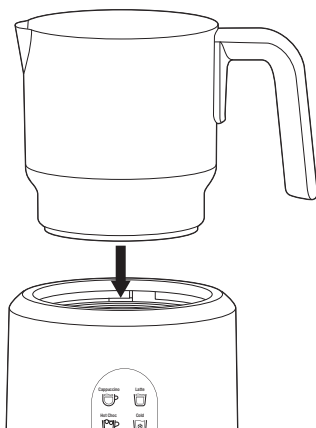
NOTE


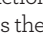
Refer to the Guide to Milk Frothing table on page 10 for the disc, measurements and milk types.

Do not exceed the MAX lines marked inside the milk jug.

The maximum level for the frothing disc is 250ml.

The maximum level for the mixing disc is 350ml.



5. Place the milk jug back onto the power base. Press the  button until the desired function on the control panel is selected. The light above the function will flash three times, and the milk frother will start automatically.
6. To cancel a function at any time during operation, press the  button and the milk frother will stop automatically. To start the function again, repeat step 5.
7. Once finished, the milk frother will stop automatically and beep three times.
8. Carefully lift the jug off the power base using the handle. Ensure the jug is not placed on a table with a plastic surface as it may scorch or melt. Lift the lid off the jug, ensuring any steam that may escape is safely away from the face or body. Tip the milk into a cup or glass.

TIP

Tip the jug slightly to the side while pouring the milk to allow for more froth.

9. Place the milk jug back onto the power base and allow to completely cool before cleaning.

WARNING

Do not place hot jug on or close to the power cord.

WARNING

The frothing and mixing discs are choking hazards. Children must always be supervised and never left unattended with the appliance.

GUIDE TO MILK FROTHING

FROTHING OR MIXING DISC	TYPE	ML	TEMP	TIME	Perfect for
FROTHING DISC	CAPPUCCINO	100	65-75	2 mins - 3 mins	Cappuccino
		250	60-70	4 mins - 5 mins	
MIXING DISC	CAPPUCCINO	100	75-85	2 mins - 3 mins	Cappuccino
		250	60-70	3 mins - 4 mins	
		350	60-68	5 mins - 6 mins	
FROTHING DISC	LATTE	100	65-75	2 mins - 3 mins	Latte
		250	60-70	4 mins - 5 mins	
MIXING DISC	LATTE	100	65-75	2 mins - 3 mins	Flat White
		350	60-68	5 mins - 7 mins	
MIXING DISC	COLD	100	NA	2 mins - 3 mins	Iced Coffee / Flavoured Milk
		250	NA	2 mins - 3 mins	
FROTHING DISC	HOT CHOC	100	75-85**	2 mins - 3 mins	Hot Chocolate
		250	70-80	5 mins - 7 mins	

*Temperatures and times may vary based on type of milk and function used.



Care, Cleaning & Storage

CLEANING AFTER USE

The jug, discs and lid should be cleaned after each use to prevent build-up of milk residue.



WARNING

Never immerse the power base in water or any other liquid. The underside of the jug must always be dry before placing on power base prior to use.

1. Switch off and unplug the power cord from the power outlet before cleaning.
2. The jug and disc, if recently in use, will be hot. Wait until the milk frother has cooled down before removing both the disc from the base of the jug, and the jug from the power base.
3. Remove the seal from the jug lid. Wash the jug lid, jug lid seal, jug and discs in warm, soapy water. Rinse and dry thoroughly.



NOTE

The milk jug can be washed in the dishwasher (top shelf only) however, the time performance may be affected. Wipe the exterior of the milk frother and the heating plate, with a soft, damp cloth and dry thoroughly before storage.



WARNING

Do not use alkaline or abrasive cleaning agents, steel wool or scouring pads as these can damage the surface.



WARNING

Surface of the jug will be hot after operation. Do not place hot jug on heat sensitive surfaces.

STORAGE

1. Turn the power base over and secure the frothing disc inside the magnetic disc storage compartment.
2. Place the mixing disc inside the jug and replace the lid.
3. Store the milk frother in an upright position.



NOTE

Never store anything on top of the milk frother.



Hints and tips

- Always use cold, fresh (or freshly opened) milk.
- For optimum frothing results, do not exceed the MAX (250ml) marking inside the jug.
- For more froth on the hot chocolate (HOT CHOC) function, complete function with milk only and stir in additional ingredients at completion. Remove excess air bubbles from frothed milk by gently tapping jug on a bench.
- For a silky smooth texture, swirl frothed milk in a circular motion before pouring milk into a cup or glass.
- Pour frothed milk promptly to avoid the milk from separating. Frothed milk that is not used immediately should not be reheated.



Troubleshooting

PROBLEM

WHAT TO DO

The milk frother does not heat when turned on.

- Ensure the milk frother is plugged into the power outlet and switched on.
- Position the jug properly onto the base.

When turned on, the indicator light lights up, and the milk frother starts to heat, but the disc does not work.

- Position the disc properly onto the base of the jug.
- Ensure the disc is not broken.
- Ensure nothing is in the way of the disc.

Selecting the Cappuccino, Latte or Cold function resulting in either too little or too much froth.

- Ensure the milk is still in date.
 - Ensure the correct disc is being used.
 - The best milk temperature to froth is between 2°C-8°C.
-



Notes



Notes

Breville Customer Service Centre

Australian Customers

Phone: 1300 139 798

Web: www.breville.com

New Zealand Customers

Phone: 0800 273 845

Web: www.breville.com

Breville®

Master Every Moment™

Breville, the Breville logo, Master Every Moment and Choc & Cino are trademarks of Breville Pty. Ltd. A.B.N. 98 000 092 928.
Copyright Breville Pty. Ltd. 2020.

Due to continued product improvement, the products illustrated/photographed in this booklet may vary slightly from the actual product.

LMF200 ANZ - B20