

the Breville Smart Tea Infuser™

Instruction Book - BTM600



Breville®



Contents

- 2 Breville Recommends Safety First
- 7 Components
- 9 Functions
- 11 Tips
- 12 Care & Cleaning
- 14 Troubleshooting

BREVILLE RECOMMENDS SAFETY FIRST

At Breville® we are very safety conscious. We design and manufacture consumer products with the safety of you, our valued customer, foremost in mind. In addition we ask that you exercise a degree of care when using any electrical appliance and adhere to the following precautions.

IMPORTANT SAFEGUARDS

READ ALL INSTRUCTIONS BEFORE USE AND SAVE FOR FUTURE REFERENCE

- Before using for the first time please ensure that your electricity supply is the same as shown on the rating label on the underside of the appliance. If you have any concerns please contact your local electricity company.
- Appliances can be used by persons with reduced physical, sensory or mental capabilities or lack of experience and knowledge if they have been given supervision or instruction concerning the use of the appliance in a safe way and understand the hazards involved.
- Children shall not play with the appliance. Close supervision is necessary when any appliance is used by or near children.
- Remove and safely discard any packaging material and promotional labels before using the appliance for the first time.
- To eliminate a choking hazard for young children, remove and safely discard the protective cover fitted to the

- power plug of this appliance.
- This appliance has been designed specifically for the purpose of heating and boiling quality drinking water and tea only. Under no circumstances should this product be used to heat or boil any other liquids or foodstuffs.
 - Do not place the appliance near the edge of a bench or table during operation. Ensure that the surface is level, clean and free of water and other substances.
 - Do not operate the appliance on a sink drain board.
 - Do not place the appliance on or near a hot gas burner, electric element or where it could touch a heated oven.
 - Keep the appliance clear of walls, curtains and other heat or steam sensitive materials. Minimum 20cm distance.
 - Always ensure the appliance is properly assembled before use. Follow the instructions provided in this book.
 - The appliance must be used only with the power base supplied.
 - This appliance is not intended to be operated by means of an external timer or separate remote control system.
 - Do not touch hot surfaces. Use the handle for lifting and carrying the appliance.
 - Do not place anything on top of the lid.
 - To disconnect, turn any control to "off," then remove plug from wall outlet.
 - Remove the plug from the power outlet before attempting to move the appliance, when the appliance is not in use and before cleaning and storing.
 - Use caution when pouring water from the glass jug, as boiling water and steam will scald. Do not pour water too quickly.
 - To protect against electric shock, do not immerse the glass jug base, power base, power cord or power plug in water or allow moisture to come in contact with these parts.
 - Do not wash jug exterior under running water.
 - Do not open the lid during operation.
 - Do not overfill the glass jug past the maximum water level mark. If the glass jug is overfilled, boiling water may be ejected.
 - Keep the appliance clean. Follow the cleaning

instructions provided in this book.

- Do not spill water onto the connector.

 **WARNING**

- Do not operate the appliance on an inclined surface. Do not move the appliance while it is switched on.
- The heating element surface is subjected to residual heat after use.
- Do not remove the outer lid during and after operation. This may result in boiling water splashing from the glass jug. Pour out all the hot water from the glass jug before opening the lid to refill.
- To prevent damage to the appliance do not use chemicals, alkaline cleaning agents, steel wool or abrasive cleaners to clean the inside or outside of the kettle. Use a mild cleaning agent with a soft damp cloth.

 **WARNING**

- Never immerse the glass jug, power base, power cord or power plug in water or allow moisture to come in contact with these parts.



 **WARNING**

- Do not wash jug exterior under running water.



- **Misuse may cause injury.**

IMPORTANT SAFEGUARDS FOR ALL ELECTRICAL APPLIANCES

- Fully unwind cord before use.
- To protect against electric shock, do not immerse cord, plug or appliance in water or any other liquid.
- Do not let the cord hang over the edge of a bench or table, touch hot surfaces, or become knotted.
- Do not leave the appliance unattended when in use.
- This appliance is recommended for household use only. Do not use this appliance for anything other than its intended use. Do not use in moving vehicles or boats. Do not use outdoors.
- It is recommended to regularly inspect the appliance.
- For any maintenance other than cleaning, call Breville Consumer Support.
- This appliance is equipped with a power cord having a grounding wire with a grounding plug. The appliance must be grounded using a 3-hole properly grounded outlet. In the event of an electrical short circuit, grounding reduces the risk of electrical shock.
- If the appliance is of the grounded type, the extension cord should be a grounding 3-wire cord.
- If the power outlet is a standard 2-prong wall outlet, it is your personal responsibility and obligation to have it replaced with a properly grounded 3-prong wall outlet.
- The use of accessory attachments not recommended by the appliance manufacturer may result in fire, electric shock or injury to persons.
- Do not, under any circumstances, cut or remove the third (ground) prong from the power cord or use an adapter.
- Consult a qualified electrician if the grounding instructions are not completely understood, or if doubt exists as to whether the appliance is properly grounded.



WARNING

- Do not operate the kettle on an inclined surface.
- Do not move the appliance while it is switched on.

SHORT CORD INSTRUCTIONS

- A short power-supply cord is provided to reduce risks resulting from becoming entangled in or tripping over a longer cord.
- Longer extension cords are available and may be used if care is exercised in their use.

If a long extension cord is used:

- (1) The marked electrical rating of the extension cord should be at least as great as the electrical rating of the appliance;
- (2) The extension cord should be a grounding-type 3-wire cord; and
- (3) The longer cord should be arranged so that it will not drape over the counter top or table top where it can be pulled on by children or tripped over.



WARNING

Do not operate any appliance with a damaged cord or plug or after the appliance malfunctions, or has been damaged in any manner. Return appliance to the nearest authorized service facility for examination, repair or adjustment.

CALIFORNIA PROPOSITION 65:

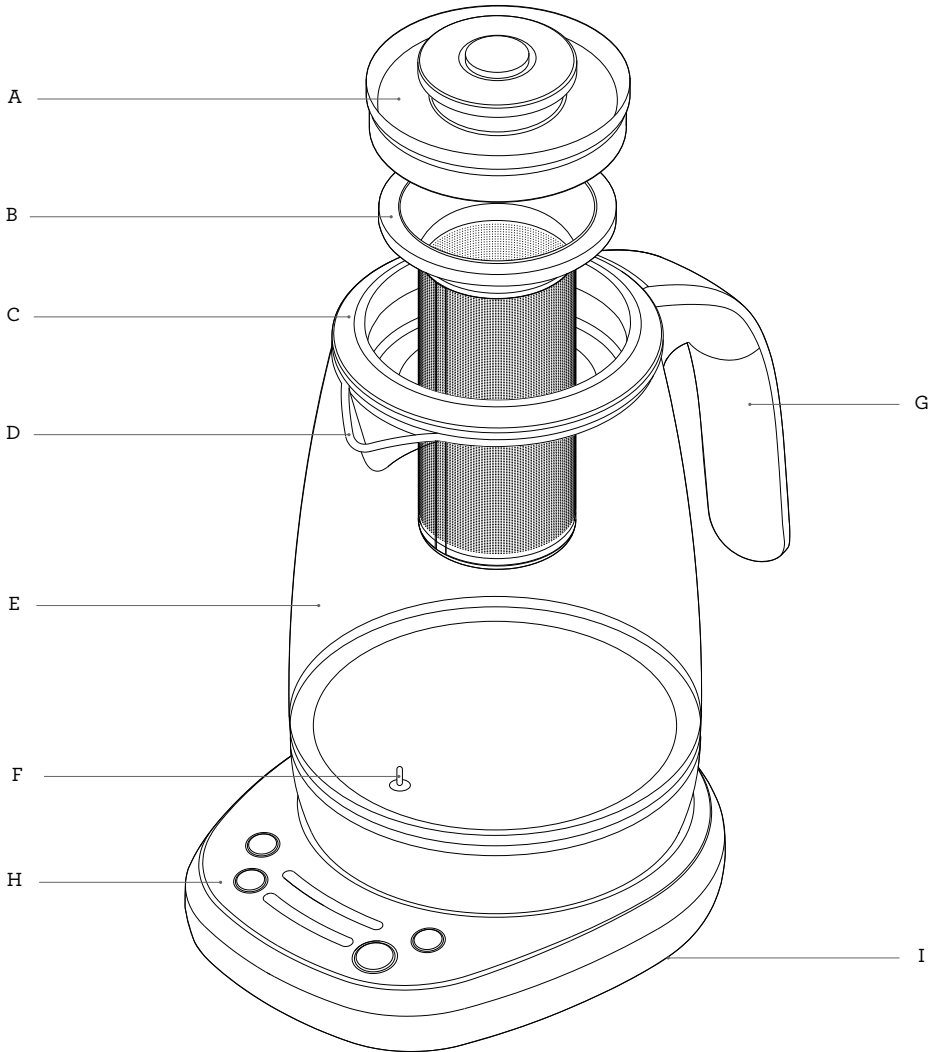
(Applicable to California residents only).

This product contains chemicals known to the State of California to cause cancer, birth defects or other reproductive harm.

SAVE THESE INSTRUCTIONS



Components



A. Inner Lid

B. Stainless Steel Tea Basket

C. Outer Lid

D. Spout

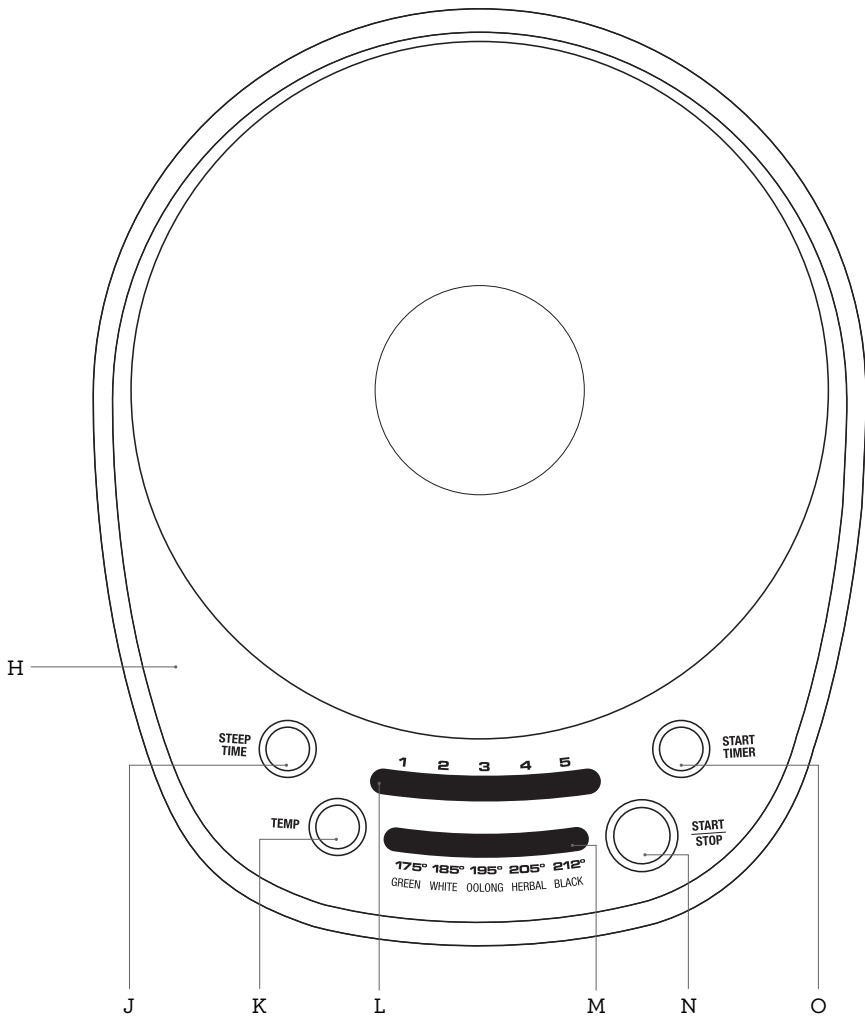
E. Glass Body

F. Immersed Temperature Sensor

G. Handle

H. Power Base

I. Cord Storage



J. STEEP TIME button
 K. TEMP Button
 L. Steep time indicator

M. Temperature / tea type indicator
 N. START/STOP button
 O. START TIMER button

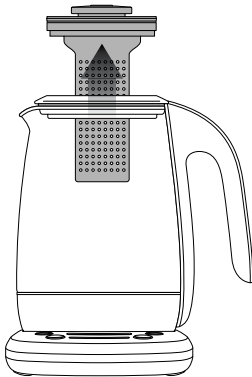


Functions

BEFORE FIRST USE

In order to remove any dust or protective residues from the manufacturing process, it is recommended to run a boiling cycle then discard the water.

1. Remove and safely discard any packing material, promotional labels and tape from the Breville Smart Tea Infuser™.
2. Lift the inner lid along with attached tea basket.



Then remove the outer lid. Wash the outer lid, tea basket, and inner lid in warm soapy water with a soft sponge, rinse and dry thoroughly.



WARNING

Never immerse the base of the glass jug, the power base, power cord or power plug in water or allow moisture to come in contact with these parts.

3. Place the power base on a flat, dry surface.
4. Unwind the power cord completely and insert the power plug into a grounded wall outlet.



WARNING

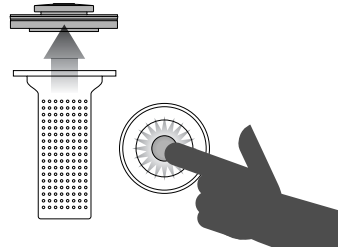
Never fill the glass jug with chilled water. Allow the Breville Smart Tea Infuser™ to cool before refilling.



WARNING

Filling past the MAX line may result in serious burns or injuries as a result of overflowing hot or boiling water. Filling below the MIN line will result in the Breville Smart Tea Infuser™ switching off before the water has boiled or reached the selected temperature.

5. Detach the tea basket from the inner lid by pressing the button.



6. Without the tea basket in place, fill the glass jug to the water MAX mark and place on the power base. Securely fit the lids onto the glass jug.
7. The Breville Smart Tea Infuser™ will beep and the buttons will illuminate.
8. Select '212°F' in the temperature indicator by pressing TEMP button and turn off the timer by pressing STEEP TIME button several times. Then press START/STOP button to start.
9. Once the water reaches 212°F, it will beep 3 times.
10. Discard the water. The Breville Smart Tea Infuser™ is now ready to use.

BREWING TEA

1. Fill the glass jug with desired amount of water. Ensure you do not fill past the MAX mark. Place the outer lid, tea basket, and inner lid.
2. Select the tea type by pressing the TEMP button. The tea type determines brew temperature and steep time, based on medium strength. The Breville Smart Tea Infuser™ has 5 preset tea types recommended for optimal brewing of Green, White, Oolong, Herbal, or Black tea.

TEA TYPE		Green	White	Oolong	Herbal	Black
Preset Brew Temp		175°F	185°F	195°F	205°F	212°F
Steep Time (mins)*	Mild	2	2	2	3	1
	Medium*	3	3	3	4	2
	Strong	4	4	4	5	3

* Preset steep time is based on medium strength, but you can adjust depending on your taste.



NOTE

This product is not calibrated for commercial or scientific use. Temperatures may vary $\pm 3^{\circ}\text{C}$, which is within range for optimal brewing for each tea variety.

3. Start heating by pressing START/STOP button. The Breville Smart Tea Infuser™ will start heating.
4. Once the selected brew temperature is reached it will beep 3 times. Open the tea basket lid by pressing the detachment button and use a tea spoon (approximately 5g) to fill the basket with tea leaves. As a general guide, use 1 teaspoon of tea leaves per cup / 250ml of water, however this will depend on the instructions on tea packaging and your personal preference. Re-place the tea basket lid.

WATER TO TEASPOON RATIO

500mL/16oz	2 teaspoons
750mL/24oz	3 teaspoons
1000mL/32oz	4 teaspoons
1250mL/40oz	5 teaspoons
1500mL/48oz	6 teaspoons
1700mL/56oz	7 teaspoons

5. Start steeping by pressing the START TIMER button. The timer is set based on medium strength by default, but you can change this by pressing STEEP TIME button.



NOTE

Temperature and time can be changed during heating or steeping cycle.

6. Once brewing cycle is complete, the Breville Smart Tea Infuser™ will beep 3 times. Lift the inner lid along with tea basket, and detach the tea basket. Then close the lid. Your tea is ready now. The Breville Smart Tea Infuser™ will keep the tea warm until you are ready to drink.



NOTE

Keep warm will last for 30 minutes after the tea is brewed. When the glass jug is removed from the power base, it will stop keep warm function.

BOILING WATER

Remove the tea basket and fill the glass jug with water. Close the jug with the lid. Select the desired temperature by pressing TEMP button, and then turn off time indicator by pressing STEEP TIME button. Press START/STOP button to start. When finished, it will beep 3 times.

CHANGING BEEP VOLUME

Press and hold STEEP TIME button and TEMP button together for 2 seconds to enter volume adjustment mode. Press STEEP TIME button to choose among OFF (mute), 3 (default), and 5 (louder). To save and exit, press the two buttons together or wait for 7 seconds.



Tips

TEA TYPES

There are four main types of tea from the tea plant *Camellia sinensis*. The picking and processing methods determine the type of tea finally produced.

Black Tea

Black tea is the most common type of tea worldwide. It is made by fermenting the harvested leaves for a couple of hours before heating or drying. This oxidation darkens the leaves and increases the amount of caffeine. Of all the teas, black tea has the strongest colour and flavour.

White Tea

White tea is the rarest and the most exclusive tea. White tea consists of the whitish buds of the tea plant which are steamed then left to dry naturally. This tea is low in caffeine and has a slightly sweet flavour.

Green Tea

Green tea makes up approximately ten percent of the world's tea. The leaves are picked, rolled and dried before they can go brown. Green tea has a distinctive aroma and has a slight astringent taste.

Oolong Tea

Oolong Tea is semi fermented, which means leaves are processed immediately after picking. They only have a short period of oxidation which turns the leaves from green to red/brown. Its leaves have a floral, fruity quality and hence have a delicate fruity taste. It is recommended not to drink Oolong tea with milk, sugar or lemon.

Herbal Infusions or Tisanes

Herbal infused teas are not produced from the tea plant, but from flowers, leaves, roots or seeds. Common herbal beverages are chamomile, peppermint, fennel, rose hip, and lemon verbena.

Herbal infusions that do not contain tea will generally not become bitter with extended brews. These can often be brewed with boiling water 3 times without jeopardising the taste.

Blends

Tea producers make blends by combining different types of teas, often in order to achieve flavour consistency from one season to the next. Common black tea blends include English Breakfast, Earl Grey, Irish Breakfast, and Russian Caravan.

TEA STORAGE

- Teas stored inside a vacuum sealed bag can be stored for up to two years, depending on the quality and grade of tea. Once opened, tea should be stored in an airtight container and kept in a dry and dark place.
- Once opened, black teas will last longer than green and oolong teas but all tea needs to be stored in ideal conditions.
- You can tell when tea is past its best if it has lost its aroma and will create either a bitter or dull tasting cup.

TIPS FOR OPTIMAL TEA BREWING

- Water quality affects taste. For best results, use filtered water.
- Finer tea particles and leaves will infuse more quickly than whole leaves. As a result, finer tea particles often release too much tannin too quickly, creating a harsher taste. Adjust the steeping time until desired strength is achieved.
- Use roughly one teaspoon of tea per cup/250ml of water.



Care & Cleaning

CLEANING THE GLASS JUG

1. After each use, empty the glass jug.
Do not allow brewed tea to stand overnight.
2. Wipe the interior of the glass jug with a soft damp sponge or rinse with warm water.
3. Wipe the exterior of the glass jug with a soft damp cloth to clean.



WARNING

Never immerse or wash exterior of glass jug under running water.



NOTE

Do not use chemicals, steel wool, or abrasive cleaners to clean the inside or outside of the glass jug as these may scratch the surface.

4. To remove the build-up of tannin, the astringent chemical constituent of tea, fill the glass jug with water up to the MAX mark and bring water to boil and allow water to cool for one minute. Add contents of Breville Tea Maker Cleaner (available at Breville web page) and allow to stand for 5 minutes. Empty Breville Smart Tea Infuser™, refill with fresh water and boil. Repeat this step again. Empty the Breville Smart Tea Infuser™ and rinse thoroughly.
5. Dry thoroughly with a soft, lint-free cloth before using.



NOTE

Through regular use over time, scale build-up can affect the performance and the life of the Breville Smart Tea Infuser™. Lime and phosphate are common forms of scale that can damage your Breville Smart Tea Infuser™. Lime scale, a harmless mineral, comes in the appearance of white-coloured or rusty looking build up on the inner walls and inner base of the glass jug. Phosphate scale can't be seen, however, it can cause the water to appear cloudy when heated. To prevent scale from damaging your Breville Smart Tea Infuser™, ensure to descale the glass jug regularly.

Use Breville Descaler (available at Breville web page) and follow the instructions.



NOTE

Allow all parts of the Breville Smart Tea Infuser™ to cool completely before disassembling and cleaning.



WARNING

Never immerse the BASE OF THE GLASS JUG, POWER BASE, POWER CORD or POWER PLUG in water or allow moisture to come in contact with these parts.



CLEANING THE OUTER LID

1. Wash the outer lid in warm soapy water with a soft sponge, rinse and dry thoroughly.
2. Alternatively, the outer lid is dishwasher safe.
3. Let all surfaces dry thoroughly prior to using.

CLEANING THE BASKET

1. Wash the inner lid and tea basket in warm soapy water with a soft sponge, rinse and dry thoroughly. A non-abrasive liquid cleanser or mild spray solution may be used to avoid build-up of stains. Apply the cleanser to the sponge, not the accessory surfaces, before cleaning.
2. The tea basket is dishwasher safe, but the inner lid is not.
3. Let all surfaces dry thoroughly prior to using.

CLEANING THE POWER BASE

1. Wipe the power base with a soft damp sponge.
2. Let all surfaces dry thoroughly prior to inserting the power plug into a wall outlet.

STORAGE

1. Ensure the Breville Smart Tea Infuser™ is switched off, cleaned and dried before storing.
2. Ensure that the tea basket is securely assembled.
3. Ensure that outer lid is securely in place.
4. Wrap the power cord around the power cord storage under the power base.
5. Stand the Breville Smart Tea Infuser™ upright on the power base. Do not store anything on top.



Troubleshooting

PROBLEM

WHAT TO DO

The Breville Smart Tea Infuser™ does not switch ‘ON’

- Check the power plug is securely inserted into the outlet.
- Insert the power plug into an independent outlet.
- Insert the power plug into a different outlet.
- Reset the circuit breaker if necessary.
- For additional safety the Breville Smart Tea Infuser™ is fitted with a thermal cut out. In the event of severe overheating, the Breville Smart Tea Infuser™ will automatically shut down to prevent further damage.

The Breville Smart Tea Infuser™ does not work

- Check the glass jug is securely positioned on the power base.

I cannot select a certain function

- Certain features cannot be selected or changed during the heating or brewing cycle. LED lights surrounding the buttons will indicate the availability of the functions.

After boiling water, bubbles appear around the temperature sensor

- This is normal for the functionality of the Breville Smart Tea Infuser™.

My tea tastes too weak or too strong

- Perform a cleaning cycle as per instruction in the booklet.
-

the Breville Smart Tea Infuser™

Manuel d'instructions - BTM600



Breville®



Table des matières

- 16 Breville vous recommande la sécurité avant tout
- 21 Composants
- 23 Fonctions
- 25 Trucs
- 26 Entretien & Nettoyage
- 29 Guide de dépannage

BREVILLE VOUS RECOMMANDE LA SÉCURITÉ AVANT TOUT

Chez Breville, la sécurité occupe une place de choix. Nous concevons et fabriquons des produits de consommation sans jamais perdre de vue la sécurité de notre précieuse clientèle. De plus, nous vous demandons d'être très vigilant lorsque vous utilisez un appareil électrique et de respecter les mesures de sécurité qui suivent.

IMPORTANTES MESURES DE SÉCURITÉ

LISEZ TOUTES LES INSTRUCTIONS AVANT USAGE ET CONSERVEZ- LES À TITRE DE RÉFÉRENCE

- Avant d'utiliser l'appareil pour la première fois, assurez-vous que l'alimentation de la prise électrique est identique à celle inscrite sur l'étiquette au-dessous de l'appareil. Si un doute existe, veuillez contacter votre fournisseur d'électricité.
- L'appareil peut être utilisé par des personnes dont les facultés physiques, sensorielles ou mentales sont réduites ou qui manquent d'expérience et de connaissances, pourvu qu'elles aient reçu la supervision ou les instructions requises pour utiliser l'appareil de manière sécuritaire et en comprennent les risques encourus.
- Les enfants ne doivent pas jouer avec l'appareil. Une surveillance étroite est requise lorsque l'appareil est utilisé par ou près des enfants.
- Retirez et jetez en lieu sûr tout matériel d'emballage et

étiquettes promotionnelles avant d'utiliser l'appareil pour la première fois.

- Afin d'éliminer le risque de suffocation chez les jeunes enfants, retirez et jetez en lieu sûr l'enveloppe protectrice recouvrant la fiche de l'appareil.
- Cet appareil a été conçu spécifiquement et uniquement pour faire chauffer et bouillir l'eau potable et le thé. Ce produit ne doit en aucune circonstance être utilisé pour faire chauffer ou bouillir d'autres liquides ou aliments.
- Ne placez pas l'appareil sur le bord d'un comptoir ou d'une table lorsqu'il est en marche. Assurez-vous que la surface de travail est de niveau, propre et libre d'eau ou de toute autre substance.
- Ne faites pas fonctionner l'appareil sur l'égouttoir d'un évier.
- Ne placez pas l'appareil sur ou près d'un brûleur à gaz, d'un élément électrique ou là où il pourrait toucher un four chaud.
- Gardez un espace d'au moins 20 cm entre l'appareil et les murs, les rideaux ou autres matériaux sensibles à la chaleur ou à la vapeur.
- Assurez-vous que l'appareil est correctement assemblé avant de l'utiliser. Suivez les instructions fournies dans ce manuel.
- L'appareil doit être utilisé uniquement sur le socle motorisé fourni.
- Cet appareil ne doit pas fonctionner à l'aide d'une minuterie externe ou d'un contrôle à distance.
- Ne touchez pas les surfaces chaudes de l'appareil. Utilisez la poignée pour le soulever ou le déplacer.
- Ne placez aucun objet sur le couvercle de l'appareil.
- Pour déconnecter l'appareil, éteignez-le d'abord (ARRÊT), puis débranchez-le de la prise murale.
- Débranchez l'appareil de la prise électrique avant de tenter de le déplacer, le nettoyer, le ranger ou s'il n'est pas en usage.
- Soyez prudent lorsque vous versez l'eau de la carafe, car l'eau bouillante et la vapeur peuvent vous ébouillanter. Ne versez pas l'eau trop rapidement.
- Pour vous protéger contre le risque d'électrocution, n'immergez pas la base de la carafe, le socle motorisé, le cordon ou la fiche

d'alimentation dans l'eau et ne laissez pas l'humidité entrer en contact avec ces pièces.

- Ne lavez pas l'extérieur de la carafe sous l'eau courante.
- Ne soulevez pas le couvercle lorsque l'appareil est en marche.
- Ne remplissez pas la carafe au-delà de la marque MAX. Si la carafe est trop remplie, l'eau bouillante pourrait être éjectée.
- Gardez l'appareil propre. Suivez les instructions de nettoyage fournies dans ce manuel.
- Ne renversez pas d'eau sur le connecteur.

 **AVERTISSEMENT**

- Ne faites pas fonctionner l'appareil sur une surface inclinée et ne le déplacez pas lorsqu'il est en marche.
- La surface de l'élément chauffant est soumise à la chaleur résiduelle après usage.
- Ne retirez pas le couvercle externe durant et après l'utilisation, car l'eau pourrait fuir de la carafe. Videz entièrement la carafe avant d'ouvrir le couvercle et la remplir.
- Pour de ne pas endommager l'appareil, n'utilisez pas de

produits chimiques, d'agents nettoyants alcalins, de laine d'acier ou de produits abrasifs pour nettoyer l'intérieur et l'extérieur de la bouilloire. Utilisez un agent nettoyant doux et un chiffon doux et humide.

 **AVERTISSEMENT**

N'immergez jamais la carafe en verre, le socle motorisé, le cordon ou la fiche d'alimentation dans l'eau et ne laissez pas l'humidité entrer en contact avec ces pièces.



 **AVERTISSEMENT**

- Ne lavez pas l'extérieur de la carafe sous l'eau courante.



- **Une mauvaise utilisation peut causer des blessures.**

IMPORTANTES MESURES DE SÉCURITÉ POUR TOUT APPAREIL ÉLECTRIQUE

- Déroulez complètement le cordon avant usage.
- Pour vous protéger contre le risque d'électrocution, n'immergez pas le cordon, la fiche ou l'appareil dans l'eau ou tout autre liquide.
- Ne laissez pas le cordon pendre d'un comptoir ou d'une table, toucher des surfaces chaudes ou se nouer.
- Ne laissez pas l'appareil sans surveillance lorsqu'il est en marche.
- Cet appareil est recommandé pour un usage domestique seulement. Ne l'utilisez pas à d'autres fins que celles prévues. N'utilisez pas l'appareil dans un véhicule ou un bateau en mouvement ni à l'extérieur.
- Il est recommandé de vérifier régulièrement l'appareil.
- Pour tout entretien autre que le nettoyage, appelez le Soutien aux consommateurs de Breville.
- Cet appareil est muni d'un cordon d'alimentation avec

fil et fiche reliés à la terre. L'appareil doit être relié à la terre en utilisant une prise électrique correctement reliée à la terre. Si un court circuit survient, la mise à la terre réduira le risque d'électrocution.

- Si l'appareil est relié à la terre, la rallonge doit être un cordon relié à la terre à 3 fils.
- Si la prise électrique est standard à deux alvéoles, il est de votre responsabilité et obligation de la faire remplacer par une prise à 3 alvéoles correctement reliée à la terre.
- L'utilisation d'accessoires non recommandés par le fabricant peut causer un risque de feu, d'électrocution ou de blessures.
- Ne coupez et ne retirez en aucune circonstance la troisième branche (mise à la terre) du cordon d'alimentation et n'utilisez pas d'adaptateur.

Consultez un électricien qualifié si vous ne comprenez pas bien les instructions de mise à la terre ou si un doute persiste quant à la mise à la terre adéquate de l'appareil.



AVERTISSEMENT

- Ne faites pas fonctionner la bouilloire sur une surface inclinée.
- Ne déplacez pas l'appareil lorsqu'il est en marche.

INSTRUCTIONS SUR LE COURT CORDON

- Un court cordon d'alimentation est fourni afin de réduire le risque de s'enchevêtrer ou de trébucher sur un cordon plus long.
- Des rallonges plus longues sont disponibles et peuvent être utilisées avec précaution.

Si une rallonge plus longue est utilisée:

- (1) Sa puissance nominale doit être équivalente ou supérieure à celle de l'appareil;
- (2) La rallonge doit être faite d'un cordon à 3 fils relié à la terre; et
- (3) La rallonge ne doit pas pendre d'un comptoir ou d'une table où des enfants pourraient s'y suspendre ou trébucher accidentellement.



AVERTISSEMENT

N'utilisez pas l'appareil si le cordon d'alimentation, la fiche ou l'appareil lui-même fonctionnent mal ou ont été endommagés de quelque façon. Retournez l'appareil dans le centre de service autorisé le plus proche pour le faire examiner, réparer ou ajuster.

PROPOSITION 65 DE LA CALIFORNIE:

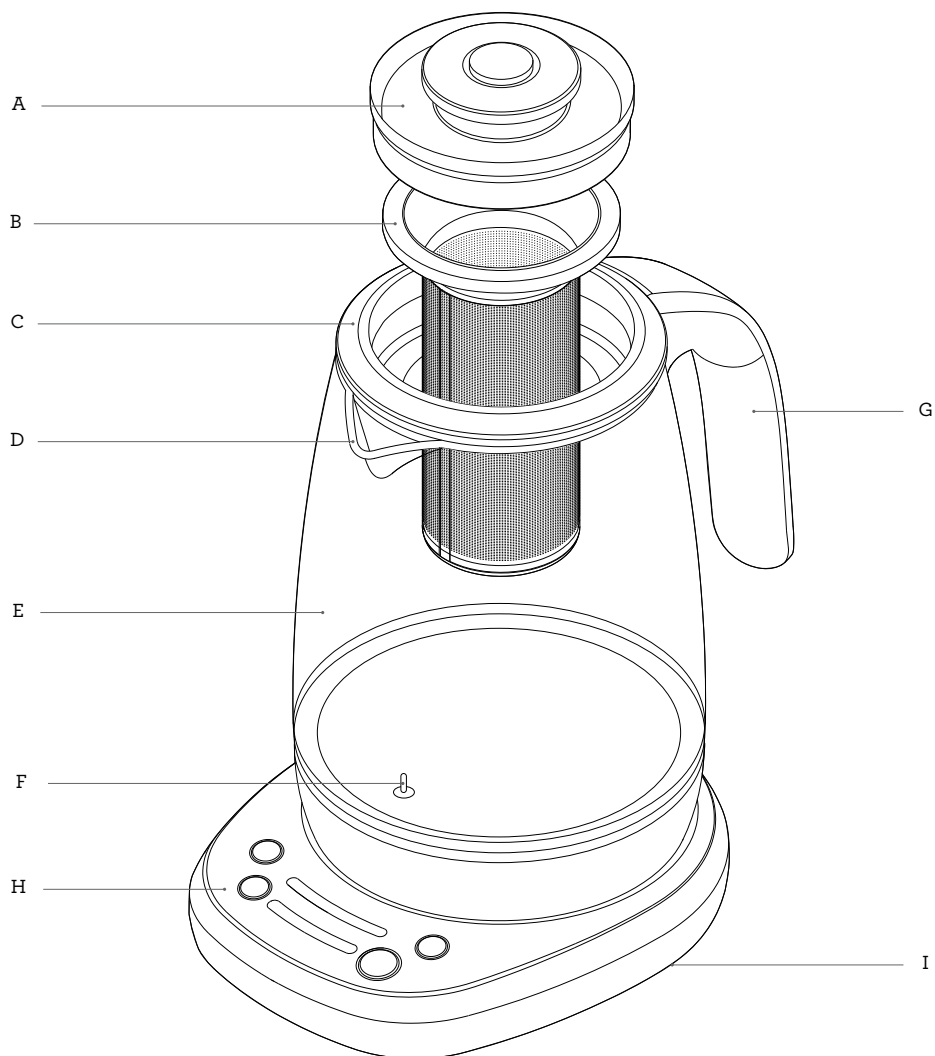
(Applicable aux résidents de la Californie seulement)

Cet appareil contient des produits chimiques connus de l'État de la Californie comme pouvant causer le cancer, des malformations congénitales ou autres problèmes de reproduction.

SAUVEGARDEZ DES INSTRUCTIONS



Composants



A. Couvercle interne

B. Panier à thé en acier inoxydable

C. Couvercle externe

D. Bec verseur

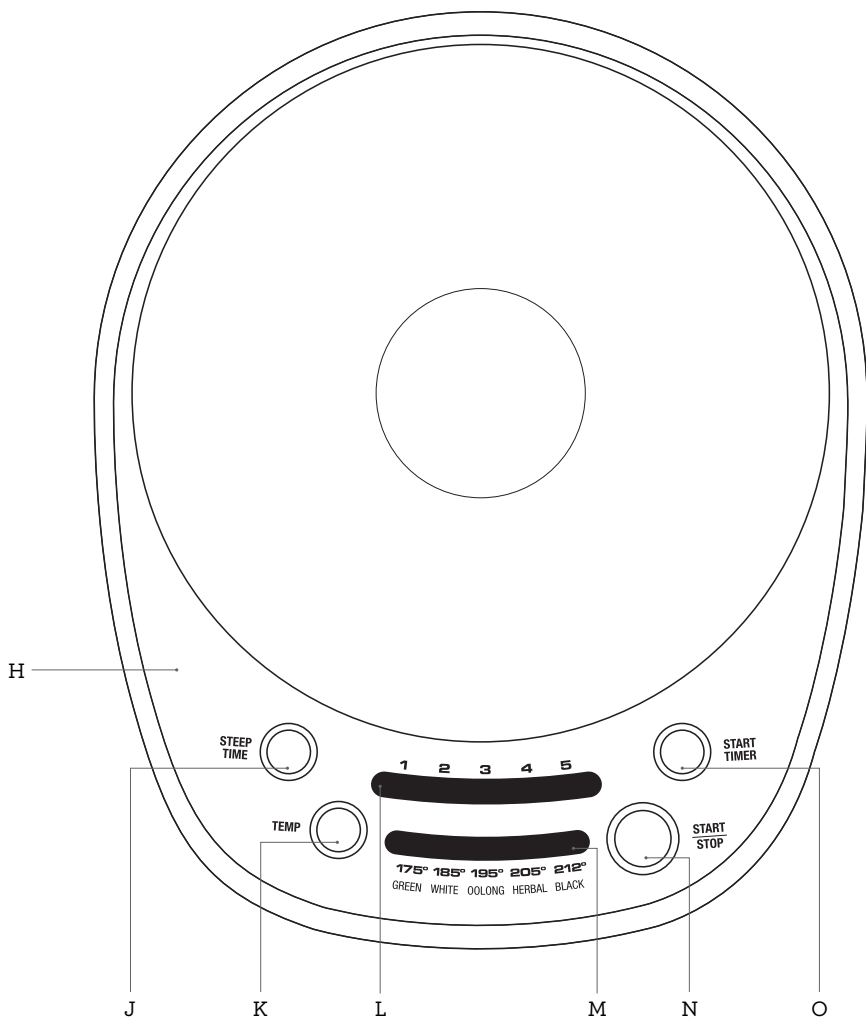
E. Carafe en verre

F. Capteur de température immergé

G. Poignée

H. Socle motorisé

I. Rangement du cordon



J. Touche de TEMPS DE TREMPAGE
 K. Touche de TEMPÉRATURE
 L. Indicateur de temps de trempage

M. Indicateur de température/type de thé
 N. Touche MARCHÉ/ARRÊT
 O. Touche pour DÉMARRER LE MINUTEUR

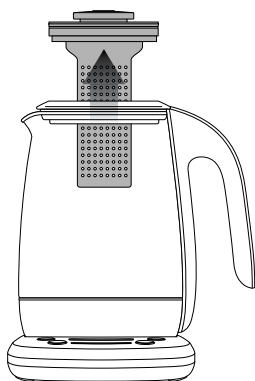


Fonctions

AVANT LA PREMIÈRE UTILISATION

Afin d'éliminer la poussière ou les résidus protecteurs laissés lors du processus de fabrication, il est recommandé d'effectuer un cycle d'ébullition, puis de jeter l'eau.

1. Retirez et jetez en lieu sûr tout matériel d'emballage, étiquettes promotionnelles et rubans adhésifs du Smart Tea InfuserMC de Breville.
2. Soulevez le panier à thé et son couvercle.



Puis retirez le couvercle externe. Lavez le couvercle externe, le panier à thé et le couvercle interne à l'eau chaude savonneuse.



AVERTISSEMENT

N'immergez jamais la base de la carafe en verre, le socle motorisé, le cordon ou la fiche d'alimentation dans l'eau et évitez que ces pièces entrent en contact avec l'humidité.

3. Placez le socle motorisé sur une surface plane et sèche.
4. Déroulez complètement le cordon d'alimentation et branchez-le dans une prise murale reliée à la terre.



AVERTISSEMENT

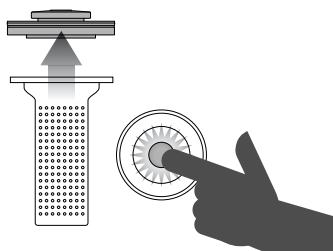
Ne remplissez jamais la carafe en verre avec de l'eau glacée. Laissez la Smart Tea InfuserMC de Breville refroidir avant de la remplir à nouveau.



AVERTISSEMENT

Le fait d'excéder la ligne MAX peut faire déborder l'eau chaude ou bouillante et entraîner des brûlures ou blessures graves. Par contre, si l'eau n'atteint pas la ligne MAX, la théière Smart Tea InfuserMC de Breville s'éteindra avant même que l'eau n'ait bouilli ou atteint la température sélectionnée.

5. Détachez le panier de son couvercle en appuyant sur le bouton.



6. Remplissez la carafe d'eau (sans le panier) jusqu'à la marque MAX et placez-la sur le socle motorisé. Remplacez les deux couvercles sur la carafe.
7. L'appareil bipera et les touches s'illumineront.
8. Sélectionnez '212°F' sur l'indicateur de température en appuyant sur le bouton de TEMPÉRATURE et éteignez le minuteur en appuyant plusieurs fois sur la touche TEMPS DE TREMPAGE. Puis appuyez sur la touche MARCHÉ/ARRÊT pour démarrer.
9. Dès que l'eau aura atteint 212°F, la théière bipera 3 fois.
10. Jetez l'eau. La théière Smart Tea InfuserMC de Breville est maintenant prête à être utilisée.

INFUSER LE THÉ

1. Remplissez la carafe de la quantité d'eau requise, en vous assurant de ne pas excéder la marque MAX. Assemblez le couvercle externe, le panier à thé et son couvercle.
2. Sélectionnez le type de thé en appuyant sur la touche de TEMPÉRATURE. Le type de thé détermine la température et le temps de trempage en fonction d'une force de thé moyenne. La théière Smart Tea InfuserMC de Breville dispose de 5 types de thé pré-réglés, pour une infusion optimale: Vert, Blanc, Oolong, Tisane ou Noir.

TYPE DE THÉ	Vert	Blanc	Oolong	Tisane	Noir	
Température pré-réglée	175°F	185°F	195°F	205°F	212°F	
Temps de trempage (mins)*	Mild	2	2	2	3	1
	Medium*	3	3	3	4	2
	Strong	4	4	4	5	3

* Le temps de trempage pré-réglé est basé sur une force moyenne, mais vous pouvez l'ajuster en fonction de vos goûts.



NOTE

Cet appareil n'est pas calibré pour un usage commercial ou scientifique. La température peut varier de $\pm 3^{\circ}\text{C}$, soit à l'intérieur de l'échelle d'une infusion optimale pour chaque type de thé.

3. Démarrez le chauffage de la Smart Tea InfuserMC de Breville en appuyant sur la touche MARCHE/ARRÊT.
4. Dès que la température sélectionnée aura été atteinte, l'appareil bipera 3 fois. Retirez le couvercle du panier en appuyant sur le bouton et ajoutez des feuilles de thé à l'aide d'une cuillère à thé (environ 5 g). À titre indicatif, 1 cuillerée à thé équivaut à 250 ml d'eau (1 tasse), mais cela peut varier selon les indications de l'emballage et vos préférences. Remettez le couvercle du panier en place.

WATER TO TEASPOON RATIO

500mL/16oz	2 cuillères à thé
750mL/24oz	3 cuillères à thé
1000mL/32oz	4 cuillères à thé
1250mL/40oz	5 cuillères à thé
1500mL/48oz	6 cuillères à thé
1700mL/56oz	7 cuillères à thé

5. Démarrez le trempage en appuyant sur la touche DÉMARRER LE MINUTEUR. Le minuteur est configuré en fonction d'une force de thé moyenne, mais vous pouvez le modifier en appuyant sur la touche TEMPS DE TREMPAGE.



NOTE

La température et le temps peuvent être modifiés durant le cycle de chauffage ou de trempage.

6. Une fois le cycle d'infusion terminé, la théière Smart Tea InfuserMC de Breville bipera 3 fois. Soulevez le panier à thé et son couvercle, détachez le panier et refermez le couvercle externe. Votre thé est maintenant prêt.



NOTE

La fonction garde-au-chaud sera activée durant 30 minutes après que le thé sera infusé. Une fois la carafe retirée du socle motorisé, la fonction garde-au-chaud se désactivera.

EAU BOUILLANTE

Retirez le panier à thé et remplissez la carafe d'eau. Placez le couvercle externe sur la carafe. Sélectionnez la température désirée en appuyant sur la touche de TEMPÉRATURE, puis éteignez l'indicateur le temps en appuyant sur la touche TEMPS DE TREMPAGE. Appuyez sur MARCHE/ARRÊT pour démarrer. À la fin, l'appareil bipera 3 fois.

MODIFIER LE VOLUME SONORE

Appuyez et maintenez simultanément les touches TEMPS DE TREMPAGE et de TEMPÉRATURE durant 2 secondes pour entrer en mode d'ajustement de volume. Appuyez sur TEMPS DE TREMPAGE pour choisir 'OFF' (sourdine), '3' (par défaut) ou '5' (plus fort). Pour sauvegarder et quitter, appuyez simultanément sur les deux touches ou attendez 7 secondes.



Trucs

TYPES DE THÉ

There are four main types of tea from the tea plant *camellia sinensis*. The picking and processing methods determine the type of tea finally produced.

Thé noir

Le thé noir est le type de thé le plus répandu dans le monde. On l'obtient en fermentant les feuilles récoltées pendant quelques heures avant de les chauffer et les sécher. Cette oxydation noircit les feuilles et augmente la teneur en caféine. Parmi tous les thés, le thé noir est celui qui a la couleur et la saveur la plus forte.

Thé blanc

Le thé blanc est un thé rare et exclusif. Il est fait à partir des bourgeons blanchâtres de la plante qui sont cuits à la vapeur, puis séchés à l'air. Ce thé est faible en caféine et possède une saveur légèrement sucrée.

Thé vert

Le thé vert représente environ dix pour cent du thé consommé dans le monde. Ses feuilles sont cueillies, enroulées et séchées avant de brunir. Le thé vert a un arôme très distinct et un léger goût astringent.

Thé Oolong

Le thé Oolong est semi-fermenté et ses feuilles sont traitées immédiatement après la cueillette. Leur courte période d'oxygénation transforme la couleur des feuilles du vert au brun-roux. Son parfum floral et fruité lui donne un goût fruité délicat. Il n'est pas recommandé de boire le thé Oolong avec du lait, du sucre ou du citron.

Tisanes

Les tisanes (ou infusions d'herbes) ne proviennent pas de la plante du thé, mais plutôt de ses fleurs, feuilles, racines ou graines. Les tisanes les plus répandues sont la camomille, la menthe poivrée le fenouil, la rose musquée et la verveine citronnée.

Les tisanes sans teneur en thé ne développeront pas d'amertume lors d'une infusion prolongée. Elles peuvent être infusées jusqu'à 3 fois à l'eau bouillante sans en compromettre le goût.

Mélanges

Les producteurs de thé fabriquent des mélanges en combinant différents types de thé, le plus souvent pour obtenir une consistance de saveur d'une saison à l'autre. Les mélanges de thé noir les plus répandus sont le English Breakfast, Earl Grey, Irish Breakfast et Russian Caravan.

CONSERVATION DU THÉ

- Les thés gardés dans un sac sous vide peuvent se conserver jusqu'à deux ans, selon leur qualité et leur grade. Une fois le sac ouvert, le thé doit être conservé dans un récipient hermétique et dans un endroit sombre et sec.
- Une fois que le sac est ouvert, le thé noir se conserve plus longtemps que le thé vert ou le Oolong, mais tous les thés doivent être gardés dans des conditions idéales.
- Le thé périmé est reconnaissable par son manque de parfum et son goût amer ou terne après l'infusion.

TRUCS POUR INFUSION OPTIMALE DU THÉ

- La qualité de l'eau affecte le goût du thé. Pour de meilleurs résultats, utilisez de l'eau filtrée.
- Le thé en sachet s'infuse plus rapidement que le thé en feuilles. Ainsi, les fines particules de thé libèrent rapidement trop de tanins, créant un goût amer. Ajustez le temps de trempage jusqu'à l'obtention de la force désirée.
- Utilisez environ 1 cuillerée à thé de thé par tasse/250 ml d'eau.



Entretien & Nettoyage

NETTOYER LA CARAFE EN VERRE

1. Après chaque utilisation, videz la carafe. Ne laissez pas le thé reposer dans la carafe toute la nuit.
2. Essuyez l'intérieur de la carafe avec un chiffon doux et humide ou rincez-la à l'eau chaude.
3. Nettoyez l'extérieur de la carafe en l'essuyant avec un chiffon doux et humide.



AVERTISSEMENT

N'immergez ou ne rincez jamais l'extérieur de la carafe en verre sous l'eau courante.



NOTE

N'utilisez pas de produits chimiques, abrasifs ou laine d'acier pour nettoyer l'intérieur et l'extérieur de la carafe en verre, car ces produits peuvent égratigner la surface.

4. To Pour éliminer l'accumulation de tanin, constituant chimique astringent du thé,

remplissez la carafe d'eau jusqu'à la marque MAX et portez à ébullition, puis laissez refroidir une minute. Ajoutez le nettoyeur à théière de Breville (disponible sur le site web de Breville) et laissez reposer 5 minutes. Videz la carafe de la Smart Tea InfuserMC de Breville, remplissez-la à nouveau d'eau froide et portez à ébullition. Répétez cette étape un autre fois. Videz la carafe et rincez-la correctement.

5. Séchez soigneusement avec un chiffon doux et non pelucheux avant le prochain usage.

NOTE

À la longue, l'accumulation de tartre peut affecter la performance et la durée de vie de la Smart Tea InfuserMC de Breville. L'accumulation de phosphate de chaux est une forme commune de tartre qui peut endommager la théière. Les dépôts calcaires inoffensifs de couleur blanche ou rouille apparaissent sur les parois et la base internes de la carafe. Cependant, les résidus de phosphate ne sont pas apparents et peuvent rendre l'eau trouble, lorsque réchauffée. Afin de prévenir les dommages causés par le tartre, assurez-vous de détartrer régulièrement la carafe en verre.

Utilisez le détartrant de Breville (disponible sur le site web de Breville) et suivez les instructions.

NOTE

Laissez refroidir complètement toutes les pièces de la Smart Tea InfuserMC de Breville avant de les désassembler et les nettoyer.

AVERTISSEMENT

N'immergez jamais la BASE DE LA CARAFE EN VERRE, LE SOCLE MOTORISÉ, LE CORDON ou la FICHE D'ALIMENTATION dans l'eau et ne laissez pas l'humidité entrer en contact avec ces pièces.



NETTOYER LE COUVERCLE EXTERNE

1. Lavez le couvercle externe à l'eau chaude savonneuse, à l'aide d'une éponge douce, rincez et séchez soigneusement.
2. Vous pouvez également le mettre au lave-vaisselle.
3. Laissez sécher toutes les surfaces avant d'utiliser la théière.

NETTOYER LE PANIER

1. Lavez le couvercle interne et le panier à thé à l'eau chaude savonneuse, à l'aide d'une éponge douce, rincez et séchez soigneusement. Un liquide nettoyant non abrasif ou une solution en aérosol douce peuvent être utilisés pour éviter l'accumulation de taches. Appliquez le nettoyant sur l'éponge et non directement sur les surfaces avant de les nettoyer.
2. Le panier à thé va au lave-vaisselle, mais **NON** le couvercle interne.
3. Laissez sécher complètement toutes les surfaces avant d'utiliser la théière.

NETTOYER LE SOCLE MOTORISÉ

1. Essuyez le socle motorisé à l'aide d'une éponge douce et humide.
2. Laissez sécher complètement toutes les surfaces avant de brancher l'appareil dans la prise murale.

RANGEMENT

1. Assurez-vous que la Smart Tea Infuser^{MC} de Breville est éteinte, nettoyée et séchée avant de la ranger.
2. Assurez-vous que le panier à thé est bien assemblé.
3. Assurez-vous que le couvercle externe est bien placé et sécurisé.
4. Enroulez le cordon d'alimentation dans l'espace de rangement sous le socle motorisé.
5. Rangez la Smart Tea Infuser^{MC} de Breville à la verticale sur le socle motorisé. Ne déposez aucun objet sur le dessus de l'appareil.



Guide de dépannage

PROBLÈME

QUE FAIRE

La théière Smart Tea Infuser^{MC} de Breville ne s'allume pas

- Vérifiez si la fiche est correctement insérée dans la prise électrique.
- Insérez la fiche dans une prise électrique indépendante.
- Insérez la fiche dans une autre prise électrique.
- Réinitialisez le disjoncteur, si nécessaire.
- Pour plus de sécurité, la Smart Tea Infuser^{MC} de Breville est équipée d'un rupteur thermique. En cas de surchauffe importante, la théière s'éteindra automatiquement pour éviter des dommages éventuels.

La théière Smart Tea Infuser^{MC} de Breville ne fonctionne pas

- Vérifiez si la carafe en verre est correctement placée sur le socle motorisé.

Je ne peux sélectionner certaines fonctions

- Certaines fonctions ne peuvent être sélectionnées ou modifiées pendant le cycle de chauffage ou d'infusion.
- Le contour lumineux DEL indiquera la disponibilité des fonctions.

Des bulles apparaissent autour du capteur de température après avoir fait bouillir l'eau

- Ceci est normal, compte tenu de la fonctionnalité de la Smart Tea Infuser^{MC} de Breville..

Mon thé a un goût trop faible ou trop fort

- Effectuez un cycle de nettoyage, tel que décrit dans le manuel d'instructions.
-

Breville Consumer Support

USA

Mail: Breville USA
19400 S. Western Ave
Torrance CA
90501-1119

Phone: 1-866-273-8455
1-866-BREVILLE

Web: www.brevilleusasupport.com

Canada

Mail: Breville Canada
3595 boulevard Côte-Vertu,
Saint-Laurent, Québec
H4R 1R2

Phone: 1-855-683-3535

Web: www.breville.ca/support

Breville[®]
Thought for food

Breville is a registered trademark of Breville Pty. Ltd. A.B.N. 98 000 092 928.
Copyright Breville Pty. Ltd. 2017.

Due to continued product improvement, the products illustrated/photographed
in this brochure may vary slightly from the actual product.