

the Fresh & Furious®



EN INSTRUCTION BOOK

FR-CA MANUEL D'INSTRUCTIONS

ES-MX MANUAL DE INSTRUCCIONES

Breville®



Contents

- 2 Breville Recommends Safety First
- 8 Components
- 9 Functions
- 12 Hints & Tips
- 15 Troubleshooting
- 16 Care & Cleaning

BREVILLE RECOMMENDS SAFETY FIRST

At Breville we are very safety conscious. We design and manufacture consumer products with the safety of you, our valued customer, foremost in mind. In addition we ask that you exercise a degree of care when using any electrical appliance and adhere to the following precautions.

IMPORTANT SAFEGUARDS

READ ALL INSTRUCTIONS BEFORE USE AND SAVE FOR FUTURE REFERENCE

- Remove any packaging material and promotional stickers before using the blender for the first time.
- To avoid a choking hazard for young children, remove and safely discard the protective cover fitted to the power plug of this appliance.
- Do not place the blender near the edge of a countertop or table during operation. Ensure that the surface is level, clean and free of water and other substances. Vibration during operation may cause the appliance to move.
- Do not place the appliance on or near a hot gas or electric burner, or where it could touch a heated oven.

- Always ensure the blender is properly assembled before use. Refer to assembly and operation instructions.
- Use only the blender jug and lid supplied with this blender. The use of attachments or accessories not manufactured or specified by Breville may cause risk of fire, electrical shock, or injury.
- Always ensure the blender is assembled properly before using. Ensure the blender lid is firmly positioned on the blender jug before operating.
- Do not leave the blender unattended when in use.
- Always ensure the appliance is turned off by pressing the ON | OFF button on the control panel. Then unplug the cord. Make sure the motor and blades have completely stopped before attempting to move the appliance, or when not in use and before disassembling, cleaning and storing.
- Avoid contacting moving parts.
- If food becomes lodged around the blender blade, turn the blender off by pressing the ON | OFF button on the control panel. Then unplug the cord. Make sure the motor and blades have completely stopped before removing the jug from the motor base. Use a spatula to dislodge or stir the food before continuing. Do not use fingers as the blades are sharp.
- Keep hands, fingers, hair, and clothing as well as spatulas and other utensils away from the blender jug during operation.
- Never place your fingers, hands or utensils inside the blender jug without unplugging the appliance from the power outlet.

- Be careful when handling the blender blade assembly as the blades are very sharp. Be careful when emptying the blender jug and during cleaning. Mishandling of the blades may cause injury.
- Do not remove the blender jug from the motor base while in operation.
- Do not use the blender for anything other than food and/or beverage preparation.
- The use of attachments, or accessories including canning jars, not recommended by the manufacturer may cause risk of injury or damage to the blender.
- Do not operate without food or liquid in the blender jug.

 **CAUTION**

- Do not process hot or boiling liquids. Allow to cool before placing into the blender jug.

- Do not subject the blender jug to extremes of hot or cold, for example, placing a cold jug in hot water or vice versa.
- Keep the appliance clean. Refer to care and cleaning instructions in this manual.



 **WARNING**

Please do not attempt to use the blender while the “OVERLOAD PROTECTION” is flashing.

- If your blender stops operating and the "OVERLOAD PROTECTION" is flashing, unplug the blender and wait for 30 minutes until the motor has cooled off. Once cooled, you will be able to use the blender as usual again. Flashing light indicates ready to operate. Avoid any contact with blades or moveable parts.



WARNING

Do not operate the blender continuously with heavy load for more than 10 seconds.

IMPORTANT SAFEGUARDS FOR ALL ELECTRICAL APPLIANCES

- Fully unwind the cord before use.
- To protect against electric shock, do not immerse the cord, plug, or motor base in water or any other liquid.
- Do not allow the cord to hang over the edge of a table or countertop, touch hot surfaces or become knotted.
- Children should be supervised to ensure that they do not play with the appliance.
- Close supervision is necessary when any appliance is used by or near children.
- Regularly inspect the power cord, power plug, and actual appliance for any damage. Do not operate if damaged in any way or after the appliance malfunctions. If this occurs, immediately cease use of the appliance and visit www.Breville.com or call Breville Consumer Support for examination, repair, or adjustment.
- For any maintenance other than cleaning, visit www.Breville.com or call call Breville Consumer Support.
- This appliance is for household use only. Do not use in moving vehicles or boats. Do not use outdoors. Do not use this appliance for anything other than its intended use. Misuse may cause injury.

- If the plug does not fit fully in the outlet, contact a qualified electrician. Do not modify the plug in any way.

SHORT CORD INSTRUCTIONS

Your Breville appliance is fitted with a short power supply cord to reduce personal injury or property damage resulting from pulling, tripping or becoming entangled with a longer cord.

If an extension cord is used, (1) the marked electrical rating of the cord set or extension cord should be at least as great as the electrical rating of the appliance and (2) the cord should be arranged so that it will not drape over the countertop or table-top where it can be pulled on by children or tripped over unintentionally.

BREVILLE ASSIST[®] PLUG

Your Breville appliance comes with a unique Assist[®] Plug, conveniently designed with a finger hole to ease removal from the power outlet. For safety reasons it is recommended you plug your appliance directly into its own electrical outlet on a dedicated circuit separate from other appliances. If the electric circuit is overloaded with other appliances, your appliance may not function properly.

Use in conjunction with a power strip or extension cord is not recommended.

MADE WITH EASTMAN TRITAN™ COPOLYESTER

Key benefits of Eastman Tritan™ copolyester

Your blender is made with Eastman Tritan™ copolyester, which is a tough, BPA-free polymer used to make houseware products that can stand up to extreme use and repeated dishwasher cleaning. Products made from Eastman Tritan™ copolyester are impact resistant and shatter resistant and stay clear and durable even after hundreds of cycles in the dishwasher.

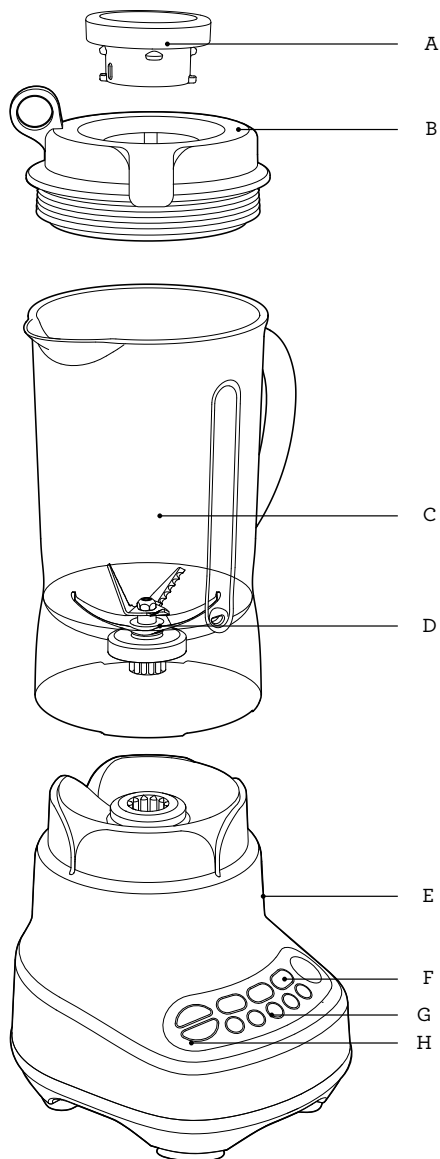
Key attributes:

- Dishwasher durable
- Tough
- BPA free
- Temperature resistant
- Odor, taste and stain-resistant

**FOR HOUSEHOLD USE ONLY
SAVE THESE INSTRUCTIONS**



Components



- A. **Inner measuring lid**
For adding ingredients while blending.
Dishwasher safe top shelf only.
- B. **Breville Assist™ Lid**
Unique ring pull design ensures the lid is easy to remove yet sealed tight during operation. Dishwasher safe top shelf only.
- C. **Large 50oz (1.5L) Eastman Tritan™ copolyester Jug**
Unique dual ribs continually pass ingredients onto the blades for well blended results. Dishwasher safe.
- D. **Kinetix Blade and Bowl system**
Revolutionary blade technology for smooth food processing results.
- E. **Blender base**
For long lasting, professional performance.
- F. **SMOOTHIES and AUTO PULSE/ICE CRUSH programs**
Optimises the blender's capabilities to create great smoothies and drinks.
- G. **Electronic 5 speed control**
Electronic controls ensure that the RPM speed is maintained for consistent result every time.
- H. **Auto Clean Program**
Removes most of the ingredients from jug walls and blade.

Rating Information
120 V~ 60 Hz 1100 W



Functions

BEFORE FIRST USE

Before using your blender for the first time, remove any packaging material and promotional labels.

Wash the lid, inner lid, blender jug (refer to "Care & Cleaning") in warm, soapy water with a soft cloth. Rinse and dry thoroughly.

The blender jug may be washed in the dishwasher. The lid and measuring cup can be washed on the top shelf in your dishwasher. The motor base can be wiped with a damp cloth. Dry thoroughly.



NOTE

The blending blades are extremely sharp. Avoid any contact with fingers and hands.

ASSEMBLING AND ATTACHING THE BLENDER

Step 1

Place the motor base on a flat, dry surface such as a countertop. Ensure that the motor base is turned off at the ON | OFF button and the power cord is unplugged.

Step 2

With the blender jug in the upright position place it on the motor base. The handle of the blender can be positioned to the left or right hand side of the appliance.



Step 3

Add food or liquid into the blender jug ensuring not to exceed the 'MAX' mark. Place the blender lid firmly into position on the top of the blender jug. Insert the clear inner measuring lid into the blender lid and turn clockwise to lock into position.



Your blender features a Breville Assist™ Lid. This allows the lid to fit tightly onto the blender jug, avoiding displacement during operation. The ring pull design allows the user to easily remove the lid.

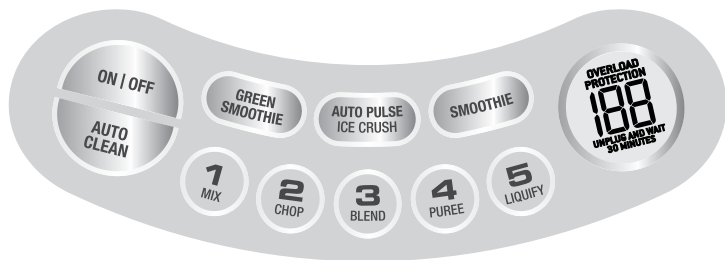
Step 4

Plug power cord into a 120V power outlet.

Step 5

Press the ON | OFF button on the far left of the control panel to turn the blender on. The ON | OFF button will illuminate and flash. The LCD timer screen will illuminate with '00' displayed.

- Flashing light indicates ready to operate. Avoid any contact with moveable parts while in operation.
- Do not fill the blender jug above the 'MAX' mark.



MANUAL SPEED SELECTION

ON | OFF

The ON | OFF button powers the unit into READY mode.

Speed Control Selection

There are 5 electronic speed buttons from MIX through to LIQUIFY.

MIX combines more delicate foods with a folding motion, and is good for combining wet and dry ingredients.

LIQUIFY is the fastest setting and is ideal for breaking down ingredients to prepare soups, make cocktails and other finely blended mixtures.

Select the required speed (1 to 5) by pressing the corresponding speed button. The blender will start to operate and the selected speed button will illuminate. The ON | OFF button will illuminate and cease to flash.

The LCD timer screen will start counting up in one second increments until 60 seconds is reached.

When 60 seconds is reached, the blender will automatically stop blending and the selected speed button illumination will turn off. This is a safety feature and restricts wear on the motor. The ON | OFF button will illuminate and flash. After a few seconds the LCD timer screen will revert to '00'.

- To stop blending at any time, press the selected speed button. The ON | OFF button can also be pressed, but this will also turn the appliance off and all illuminations will go out.
- The speed can be changed at any time during the blending process. Each time a new speed is selected its button will illuminate and the previous speed button illumination will go out.

Count-up Timer

The blender timer counts up in seconds as it blends on one of the 5 electronic speeds. When using the timer this way, the blender will automatically stop after 60 seconds.

PRESET PROGRAMS

Your blender features three additional functions, 'AUTO PULSE / ICE CRUSH', 'GREEN SMOOTHIE' and 'SMOOTHIE'. These three pre-programmed cycles automatically adjust the blending time and speeds to optimize blending results. Select the required function by pressing the corresponding function button. The blender will start to operate and the selected function button will illuminate. The ON | OFF button will illuminate and stop flashing. The LCD timer screen will start counting down in one second increments until '00' is displayed. Press any pre-set program button to activate the program - press the button again to deactivate.

GREEN SMOOTHIE (60 seconds)

Optimized to break down whole hard ingredients like fruits, leafy greens and seeds, and allows them to blend together with other soft and liquid ingredients.

SMOOTHIE (60 SECONDS)

This program has been optimized to combine and aerate frozen and liquid ingredients together. The SMOOTHIE function has a unique processing technique that blends the denser ingredients at high speed, then decreases in speed to combine ingredients together. The programming also circulates the ingredients for maximum aeration and creamy texture.

AUTO PULSE / ICE CRUSH (60 SECONDS)

Optimized to crush ice, and also ideal for processing other foods that need sudden bursts of power. It also encourages ingredients to move around the jug by manually controlling pulse cycles. The maximum amount of ice cubes the blender can blend at any one time is 1 cup (250g) of ice.

AUTO CLEAN

Use to remove most of the ingredients off the blender walls and blades. Add 2 cups of warm soapy water to the blender jug and press the AUTO CLEAN button.

For harder to clean, sticky or thick ingredients, add ½ teaspoon of liquid dish detergent for extra cleaning power. For best results, clean the blender jug this way immediately after use.



NOTE

If the blender is running and a different button is pressed, the speed will automatically switch to that program without stopping.



WARNING

Never place anything other than food and liquids in the blender while the motor is running.



NOTE

Use the AUTO PULSE / ICE CRUSH button when the food that is being processed is too thick or coarse to circulate within the blender jug.

At the end of use, always ensure the blender is turned off by pressing the ON | OFF button on the control panel. Then unplug the cord. Ensure the motor and blades have completely stopped before attempting to move the appliance, or when the blender is not in use and before disassembling, cleaning and storing.



Hints & Tips

- If the volume (while blending) is below the maximum mark, the inner measuring cap can be removed and oils/liquids can be added while blender is in use.
- Run the blender only for the appropriate amount of time required – do not over blend ingredients.
- Do not exceed the maximum mark when adding foods and liquids into the blender.
- Ingredients may stick to the sides of the blender jug. To push food back onto the blades, turn the blender off and unplug at the wall. Use a plastic spatula to scrape down the sides of the jug, and continue blending.
- If any moisture or liquid appears on top of the motor base during blending, turn the blender off and unplug at the wall. Remove the blender jug, and wipe motor base immediately with a dry cloth or paper towel.
- A speed or function can be selected at any time, even while the blender is running. Press the new speed or program, and the blender will change operation immediately.



Do's

- ✓ Use the BLEND function for drinks, cocktails, emulsions such as mayonnaise, dressings, marinades and foods that require mixing until combined, also use for batters, pureeing soups and aerating liquids.
- ✓ Use a combination of the BLEND and AUTO PULSE / ICE CRUSH functions to process the foods being blended.
- ✓ Use the SMOOTHIE function to blend fruits, ice cream and yogurts into thick smoothies, blended drinks, and milkshakes.
- ✓ Use the AUTO PULSE / ICE CRUSH function with short bursts of power and when blending drinks containing ice cubes or frozen fruit.
- ✓ Ensure all foods are cut into cubes (approx. 1 square inch) where appropriate to achieve an even result.
- ✓ Do not put more than 2 cups (473g) of warm ingredients into the blender jug before blending commences. After the blending process has begun and the blades are turning you may slowly add another 1½ cups of ingredients through the opening in the lid if desired.
- ✓ Thick mixtures puree more efficiently if your blender is ¼ to ½ full.
- ✓ When using several ingredients, place liquid ingredients in the blender jug before solid ingredients, unless specified in the recipe. When blending thick or dry mixtures it may be necessary to stop the blender and scrape down the sides of the blender jug with a plastic or rubber spatula, once or twice during blending.



Don'ts

- ✘ Do not use metal utensils as they may damage the blades or blender jug.
- ✘ Do not blend heavy mixtures for more than 10 seconds. For normal blending tasks, for example, mayonnaise, dressings etc., do not operate for longer than 60 seconds at one time without turning off the blender and stirring the ingredients, and then continue blending.
- ✘ Do not operate the blender without having the blender lid in position. To add additional ingredients while blending, remove the inner lid and place ingredients through the opening in the lid.
- ✘ Do not place any objects, other than food or liquid, into the blender while the motor is running.
- ✘ Do not use the blender jug to store food.
- ✘ The blender will not knead dough or mash potatoes.
- ✘ Do not remove the blender jug while the blender is operating. Always make sure the blender is turned off by pressing the ON | OFF button and unplug the power cord from the power outlet.
- ✘ Do not overload the blender with more than the specified quantity of ingredients as doing so could cause the motor to stall. Turn the blender off by pressing the ON | OFF button on the control panel and unplug the cord. Remove a portion of the mixture from the blender jug before continuing.
- ✘ Do not place hot or boiling ingredients into the blender; allow to cool before placing into the blender jug.
- ✘ Do not place the blender near the edge of a countertop or table-top during operation. Ensure that the surface is level, clean and free of water, flour and other substances. Vibration during operation may cause the appliance to move.



Blending Chart

FOOD	PREPARATION & USAGE	QUANTITY	FUNCTIONS	TIME
Raw vegetables	Trim excess, cut into 1-inch pieces Use: stuffing, filling, puree, soup	2 cups/ 200g	MIX/Speed 1	10 - 30 sec
Nuts	Remove shells. Use: cakes, toppings, pastes	1½ cups/ 200g	MIX/Speed 1	10 - 30 sec
Bread or Cookie crumbs	Cut into 1-inch pieces, break up cookies/crackers. Use: cheesecake crust	1 cup/100g	MIX/Speed 1	10 - 30 sec
Mayonnaise	Mix the egg yolk and vinegar. Add the oil. Use: dressing	½ cup/ 125g	MIX/Speed 1 BLEND/Speed 3	10 - 15 sec 60 sec
Whipped cream	Add sugar or vanilla if desired. Use: topping	1¼ cups/ 300ml	MIX/Speed 1 AUTO PULSE/ ICE CRUSH	10 - 20 sec 3 - 6 sec
Herbs	Chopped or halved. Use: paste	1¼ cups/ 30g	MIX/Speed 1	20 - 30 sec
Smoothie	Milk, whole fresh fruits, yogurt, ice cream. Use: milkshakes, frappes	4¾ cups/ Max 1100ml	SMOOTHIE	60 sec
Fresh fruit	Chopped or whole berries. Use: dessert sauce	2 cups/ 250g	BLEND/Speed 3	20 - 30 sec
Dried fruit	Chopped dried fruit. Use: fruit mince	2 cups/ 300g	MIX/Speed 1	20 - 30 sec
Ice	Crush. Use: mixed drinks, cocktails, slurpees	1 cup (250g)	AUTO PULSE/ ICE CRUSH	60 sec
Carrot mixture	Sliced carrots size not more than ½ inch (15mm). Use: drinks	5 cups (600g) + 30 fl.oz (900ml) water	LIQUIFY/Speed 5	30 sec

NOTE: This blending chart should be used as a guide only.



Troubleshooting

PROBLEM	EASY SOLUTION
Motor doesn't start or blade doesn't rotate	<ul style="list-style-type: none">• Ensure that the blender jug and lid are securely into position.• Verify that the ON OFF button and selected function or speed setting is illuminated.• Check that the power plug is securely inserted into the power outlet.
Food is unevenly chopped	<ul style="list-style-type: none">• Either too much food is being blended at one time or the pieces are too large. Try cutting food into smaller pieces of even size and processing a smaller amount per batch.• For best results, the food should be chopped into pieces no larger than 1 inch.
Food is chopped too fine or is watery	<ul style="list-style-type: none">• Try blending for shorter period of time. Use the AUTO PULSE /ICE CRUSH function for better control.
Food sticks to blade and jug	<ul style="list-style-type: none">• The mixture may be too thick. Try adding more liquid and/or using a slower speed for blending.
Blender overloaded	<ul style="list-style-type: none">• Your blender features motor protection. If the motor is being overloaded the motor will stop and the overload warning icon on the LCD will start to flash. If your blender stops operating and the "OVERLOAD PROTECTION" is flashing, unplug the blender and wait for 30 minutes until the motor has cooled off. Once cooled, you will be able to use the blender as usual again.• We recommend removing a portion of the mixture, cutting food into smaller pieces or processing smaller amounts per batch.



Care & Cleaning

Jug And Lid

In order to keep your jug clean and avoid food drying on the blades and jug, follow the below steps as soon as possible after use

- Rinse most of the ingredients off the jug and lid.
- Add 2 cups (473g) of warm water and press the AUTO CLEAN button. If thick or sticky ingredients require extra cleaning power add a few drops of liquid dish detergent.
- Rinse the jug and lid again and/or wash separately in warm soapy water with a soft cloth or bottle brush.
- It is most effective to clean the jug immediately after use.



WARNING

Oils in citrus rind can damage the material of your blender jug if being exposed to it for a longer period. Always clean your blender jug immediately after processing citrus rind.

Motor base

To clean the motor base, wipe with a soft, damp cloth then dry thoroughly. Wipe any excess food particles from the power cord.

Cleaning agents

Do not use abrasive scouring pads or cleaners on either the motor base or the jug, as they may scratch the surface. Use only warm soapy water with a soft cloth.

Dishwasher

The blender jug and lid can be washed in the dishwasher on a standard wash cycle. The jug can be placed on the bottom shelf, but the lid and inner measuring cap should be washed on the top shelf only. Be aware that washing parts on a regular basis in the dishwasher can shorten the life of them due to prolonged exposure to harsh detergents, hot water and pressure.

Stubborn food stains and odors

Strong smelling foods such as garlic, fish and some vegetables such as carrots may leave an odor or stain on the blender jug and lid. To remove, soak blender jug and lid for 5 minutes in warm soapy water. Then wash with a mild detergent and warm water, rinse well and dry thoroughly. Store jug with the lid off.

Storage

Store your blender upright with the blender jug assembled on the motor base, or beside it. Do not place anything on top. To allow air to circulate, keep the lid off.

the Fresh & Furious®



FR-CA MANUEL D'INSTRUCTIONS

Breville®



Table des matières

- 2 Breville vous recommande la sécurité avant tout
- 9 Composants
- 10 Fonctions
- 12 Trucs & Astuces
- 16 Guide de dépannage
- 17 Entretien & Nettoyage

BREVILLE VOUS RECOMMANDE LA SÉCURITÉ AVANT TOUT

Chez Breville, la sécurité occupe une place de choix. Nous concevons et fabriquons des produits de consommation sans jamais perdre de vue la sécurité de notre précieuse clientèle. De plus, nous vous demandons d'être très vigilant lorsque vous utilisez un appareil électrique et de respecter les mesures de sécurité décrites ci-dessous.

IMPORTANTES MESURES DE SÉCURITÉ

LISEZ TOUTES LES INSTRUCTIONS AVANT USAGE ET CONSERVEZ-LES À TITRE DE RÉFÉRENCE.

- Retirez tout matériel d'emballage et étiquettes promotionnelles avant d'utiliser le mélangeur pour la première fois.
- Afin d'éliminer les risques de suffocation chez les jeunes enfants, retirez et jetez l'enveloppe protectrice recouvrant la fiche de l'appareil.
- Ne placez pas le mélangeur sur le bord d'un comptoir ou d'une table durant le fonctionnement. Assurez-vous que la surface de travail est de niveau, propre et exempte d'eau ou de toutes autres

substances. La vibration du moteur peut déplacer l'appareil lorsqu'il fonctionne.

- Ne placez pas le mélangeur sur ou près d'un élément chauffant électrique ou à gaz, ou là où il pourrait toucher un four chaud.
- Assurez-vous de toujours assembler correctement votre mélangeur avant de l'utiliser. Consultez les consignes d'assemblage et de fonctionnement décrites dans ce manuel.
- Utilisez uniquement le récipient et le couvercle fournis avec le mélangeur. L'usage d'accessoires non manufacturés ou spécifiés par Breville peut causer un risque de feu, d'électrocution ou de blessure.
- Assurez-vous toujours que le mélangeur est correctement assemblé avant usage et que le couvercle est fermement

positionné sur le récipient avant l'utilisation.

- Ne laissez pas le mélangeur sans surveillance lorsqu'il est en marche.
- Assurez-vous toujours que le mélangeur est éteint en enfonçant la touche MARCHE | ARRÊT du panneau de commande, puis débranchez l'appareil. Le moteur et les lames doivent être complètement immobilisés avant de tenter de déplacer l'appareil lorsqu'il n'est pas en opération et avant de le démonter, de le nettoyer et de le ranger.
- Évitez d'être en contact avec les pièces en mouvement.
- Si la nourriture se loge autour des lames, éteignez le mélangeur en enfonçant la touche MARCHE | ARRÊT du panneau de commande, puis débranchez l'appareil. Assurez-vous que le moteur et les lames

sont complètement immobilisés avant de retirer le récipient de la base motorisée. Utilisez une spatule pour déloger ou remuer les aliments avant de poursuivre l'opération. N'y mettez pas les doigts, car les lames sont tranchantes.

- Gardez les mains, les doigts, les cheveux, les vêtements et les spatules ou autres ustensiles hors du récipient lorsque le mélangeur fonctionne.
- Ne mettez jamais les doigts, les mains ou les ustensiles à l'intérieur du récipient sans avoir au préalable débranché l'appareil.
- Soyez très prudent lorsque vous manipulez le système de lames, car celles-ci sont très coupantes. Faites preuve de prudence lorsque vous videz le récipient et le nettoyez. Une mauvaise manipulation des lames peut causer des blessures.

- Ne retirez pas le récipient du socle motorisé pendant que l'appareil fonctionne.
- L'utilisation d'accessoires, incluant les bocaux, n'est pas recommandée par le fabricant et peut causer des blessures ou endommager le mélangeur.
- N'utilisez pas le mélangeur à d'autres fins que pour la préparation d'aliments ou de boissons.
- Ne faites pas fonctionner le mélangeur sans aliments ou liquides dans le récipient.



ATTENTION

- Ne traitez pas de liquides chauds ou bouillants. Laissez-les refroidir avant de les verser dans le récipient.
- Ne soumettez pas le récipient à des variations de température extrêmes, par exemple en plaçant un récipient froid dans l'eau chaude, ou vice versa.

- Gardez l'appareil propre. Consultez les consignes d'entretien et de nettoyage décrites dans ce manuel.



 **AVERTISSEMENT**

Veillez ne pas utiliser le mélangeur lorsque le message OVERLOAD PROTECTION

(Protection contre la surcharge) clignote.

- Si le mélangeur s'arrête et que le message OVERLOAD PROTECTION clignote, débranchez-le et laissez le moteur refroidir 30 minutes. Après quoi, vous pourrez utiliser le mélangeur comme avant. Le clignotant indique que l'appareil est prêt à fonctionner. Évitez de toucher les lames ou les pièces en mouvement.

 **AVERTISSEMENT**

Ne faites pas fonctionner le mélangeur de façon continue avec de lourdes charges pour plus de 10 secondes à la fois.

IMPORTANTES MESURES DE SÉCURITÉ POUR TOUT APPAREIL ÉLECTRIQUE

- Déroulez complètement le cordon avant l'utilisation.
- Pour vous protéger contre les chocs électriques, n'immergez pas le cordon d'alimentation, la fiche ou l'appareil lui-même dans l'eau ou tout autre liquide.
- Ne laissez pas le cordon d'alimentation pendre d'une table ou d'un comptoir, toucher des surfaces chaudes ou se nouer.

- Surveillez les enfants pour qu'ils ne jouent pas avec l'appareil.
- Une étroite surveillance est requise lorsqu'un appareil est utilisé par ou à proximité des enfants.
- Vérifiez régulièrement si le cordon d'alimentation, la fiche ou l'appareil lui-même sont endommagés. Ne faites pas fonctionner le mélangeur s'il est endommagé de quelque façon ou après avoir mal fonctionné.
Si cela se produit, cessez immédiatement l'usage de l'appareil et visitez www.Breville.com ou appelez le Soutien aux consommateurs de Breville pour le faire vérifier, réparer ou ajuster.
- Pour tout entretien autre que le nettoyage, visitez www.Breville.com ou appelez le Soutien aux consommateurs de Breville.

- Cet appareil est conçu pour un usage domestique seulement. Ne l'utilisez pas dans un véhicule ou un bateau en mouvement ni à l'extérieur. N'utilisez pas cet appareil à d'autres fins que celles prévues. Une mauvaise utilisation peut causer des blessures.
- Si la fiche ne s'insère pas bien dans la prise de courant, contactez un électricien qualifié. Ne la modifiez d'aucune façon.

INSTRUCTIONS SUR LE CORDON COURT

- Votre appareil Breville est muni d'un cordon d'alimentation court qui réduit le risque de blessures ou dommages pouvant résulter du fait de tirer, de trébucher ou de s'enchevêtrer dans un cordon plus long. Si une rallonge est utilisée :

(1) la puissance nominale inscrite sur le cordon ou la rallonge doit être au moins équivalente ou supérieure à la puissance nominale de l'appareil; (2) la corde ne doit pas pendre d'un comptoir ou d'une table où des enfants pourraient s'y suspendre ou trébucher accidentellement; et (3) la rallonge doit être munie d'une fiche à trois broches reliée à la terre.

FICHE ASSIST® DE BREVILLE

- Votre appareil Breville est muni d'une fiche exclusive Assist® conçue spécialement avec un anneau pour laisser passer un doigt et faciliter le retrait de la prise électrique. Par mesure de sécurité, il est recommandé de brancher votre appareil directement dans une prise électrique indépendante sur un circuit dédié séparé des autres appareils. Si

le circuit électrique est surchargé par d'autres appareils, votre mélangeur peut ne pas fonctionner correctement. L'utilisation d'une barre d'alimentation ou d'une rallonge n'est pas recommandée.

FAIT DE COPOLYESTER EASTMAN TRITAN^{MC}

Principaux avantages du copolyester Eastman Tritan^{MC}

Votre mélangeur est fait de copolyester Eastman Tritan^{MC}, un polymère robuste et sans BPA utilisé dans la fabrication d'articles de maison qui peuvent résister à un usage extrême et à un nettoyage répété au lave-vaisselle. Les produits fabriqués à partir de copolyester Eastman Tritan^{MC} résistent aux chocs et à l'égrenage et restent clairs et durables, même après des centaines de cycles de nettoyage au lave-vaisselle.

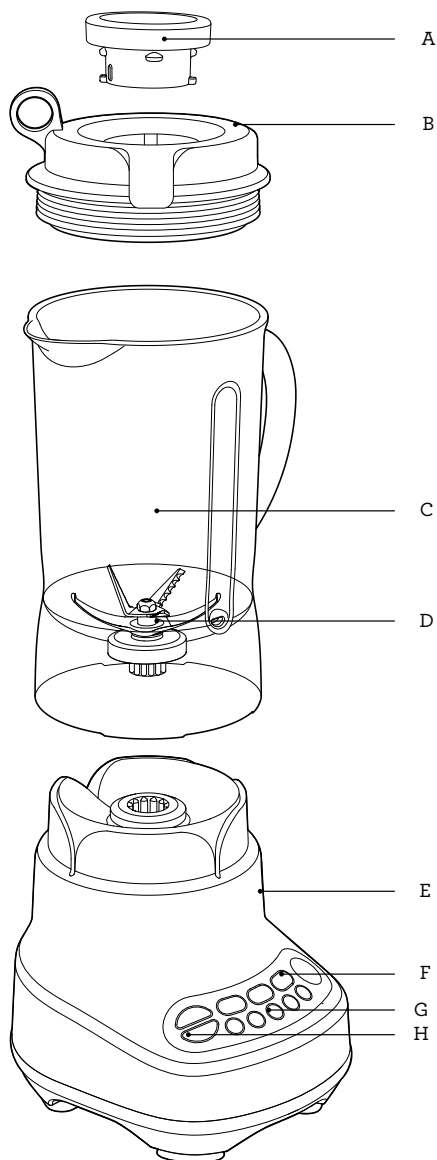
Principaux attributs

- Résiste au lave-vaisselle
- Robuste
- Sans BPA
- Résistance thermique
- Résistance aux odeurs, goûts et taches

**USAGE DOMESTIQUE SEULEMENT
CONSERVEZ CES INSTRUCTIONS**



Composants



- A. **Couvercle avec bouchon-mesure**
Pour l'ajout d'ingrédients durant le mélange. Va au lave-vaisselle, sur le plateau supérieur seulement.
- B. **Couvercle Assist^{MC} de Breville**
Le design à anneau unique facilite le retrait du couvercle très hermétique durant l'opération. Va au lave-vaisselle sur le plateau supérieur seulement.
- C. **Grand récipient de 1,5 L (50 oz) en copolyester Eastman Tritan^{MC}**
Les deux encoches latérales uniques acheminent les ingrédients sur les lames en continu, pour de meilleurs résultats. Va au lave-vaisselle.
- D. **Système de Bol et Lames Kinetix**
Technologie révolutionnaire assurant une consistance lisse.
- E. **Socle motorisé**
Pour performance professionnelle de longue durée.
- F. **Touches illuminées**
Pour lecture facile et rapide.
- G. **Contrôle électronique à 5 vitesses**
Assure le maintien de la vitesse tours-minute et l'obtention de bons résultats à tout coup.
- H. **Programme d'autonettoyage**
Dégage la plupart des ingrédients des parois du bol et des lames.

Informations énergétiques
120 V~ 60 Hz 1100 W



Fonctions

AVANT LA PREMIÈRE UTILISATION

Avant d'utiliser votre mélangeur pour la première fois, retirez tout le matériel d'emballage et les étiquettes promotionnelles.

Lavez le couvercle, le bouchon-mesure, le récipient (voir « Entretien & nettoyage ») à l'eau chaude savonneuse à l'aide d'un chiffon doux. Rincez et séchez soigneusement.

Le récipient va au lave-vaisselle. Le couvercle et le bouchon-mesure peuvent être placés sur le plateau supérieur du lave-vaisselle. Essayez le socle motorisé à l'aide d'un chiffon humide et séchez soigneusement.



NOTE

Les lames du mélangeur sont extrêmement coupantes. Évitez d'y toucher avec les doigts ou les mains.

ASSEMBLAGE DU MÉLANGEUR

Étape 1

Placez le socle motorisé sur une surface plane et sèche, comme un comptoir. Assurez-vous que le moteur est éteint (touche MARCHE | ARRÊT) et que le cordon est débranché.

Étape 2

Placez le récipient à la verticale sur le socle motorisé. La poignée du mélangeur peut être positionnée à la droite ou à la gauche du mélangeur.



Étape 3

Ajoutez les aliments ou les liquides dans le récipient, en vous assurant de ne pas excéder la marque MAX.

Placez fermement le couvercle sur le récipient. Insérez le bouchon-mesure transparent dans le couvercle et tournez-le en sens horaire pour le verrouiller.



Votre mélangeur est muni d'un couvercle Assist^{MC} de Breville. Cette particularité permet de fermer hermétiquement le couvercle, évitant qu'il se déplace durant l'opération. Le design à anneau permet le retrait facile du couvercle.

Étape 4

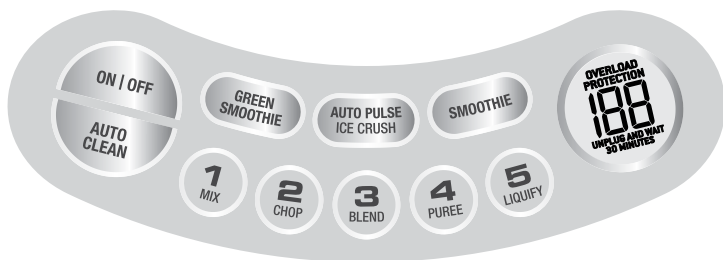
Branchez l'appareil dans une prise électrique de 110/120V.

Étape 5

Appuyez sur la touche MARCHE | ARRÊT à l'extrême gauche du panneau de commande pour faire démarrer le mélangeur.

La touche s'illuminera et clignotera. L'écran ACL s'illuminera et le minuteur affichera « 00 ».

- Le clignotant indique que l'appareil est prêt à fonctionner. Évitez tout contact avec les pièces en mouvement durant l'opération.
- Ne remplissez pas le récipient au-delà de la marque MAX.



SÉLECTION DE VITESSE MANUELLE

MARCHE | ARRÊT

La touche MARCHE | ARRÊT alimente l'appareil en mode PRÊT.

CONTRÔLE DE VITESSE ÉLECTRONIQUE

Il y a 5 touches de vitesse électronique allant de MIXER à LIQUÉFIER.

MIXER incorpore les aliments plus délicats en un mouvement de pliage et est utile pour combiner les ingrédients humides et secs.

LIQUÉFIER est le réglage le plus rapide et est idéal pour décomposer les ingrédients lors de la préparation de soupes, cocktails ou autres mélanges lisses.

Sélectionnez la vitesse requise (1 à 5) en appuyant sur la touche correspondante. Le mélangeur démarrera et la touche s'illuminera. La touche MARCHE | ARRÊT s'illuminera et cessera de clignoter.

Le compte progressif s'affichera sur l'écran ACL, par tranches d'une seconde, jusqu'à 60 secondes.

Après 60 secondes, le mélangeur cessera automatiquement de fonctionner et la touche de vitesse sélectionnée s'éteindra. Ceci est une mesure de sécurité et prévient l'usure du moteur. La touche MARCHE | ARRÊT s'illuminera et clignotera. Après quelques secondes, la minuterie sur l'écran reviendra à « 00 ».

- Pour arrêter l'opération en tout temps, appuyez sur la touche de vitesse sélectionnée. Vous pouvez aussi appuyer sur la touche MARCHE | ARRÊT, mais cela éteindra le mélangeur et tous les clignotants.

- La vitesse peut être modifiée en tout temps durant l'opération. Chaque fois qu'une nouvelle vitesse est sélectionnée, la touche s'illumine et la touche de la vitesse précédente s'éteint.

Compte progressif

Le compte progressif s'effectue en secondes lorsque les ingrédients sont mélangés à l'une ou l'autre des 5 vitesses électroniques. En utilisant la minuterie de cette façon, le mélangeur s'arrêtera automatiquement après 60 secondes.

PROGRAMMES PRÉRÉGLÉS

Votre mélangeur offre trois autres fonctions : AUTO PULSER / GLACE BROYÉE, SMOOTHIE VERT et SMOOTHIE. Ces trois cycles pré-réglés ajustent automatiquement le temps et les vitesses de mélange pour optimiser les résultats. Sélectionnez la fonction requise en appuyant sur la touche correspondante. Le mélangeur démarrera et la touche de fonction sélectionnée s'illuminera. La touche MARCHE | ARRÊT s'illuminera et cessera de clignoter. Le compte à rebours débutera sur l'écran ACL, par tranches d'une seconde, jusqu'à ce que « 00 » apparaisse. Appuyez sur n'importe quelle touche de fonction pré-réglée pour activer la fonction - appuyez à nouveau pour désactiver.

SMOOTHIE VERT (60 SECONDES)

Ce programme a été optimisé pour réduire en morceaux des ingrédients entiers durs, comme les fruits, les légumes verts en feuilles ou les graines, et leur permettre de se mélanger avec d'autres ingrédients mous ou liquides.

SMOOTHIE (60 secondes)

Ce programme a été optimisé pour combiner et aérer les ingrédients congelés et liquides. La fonction SMOOTHIE jouit d'une technique exclusive qui mélange les ingrédients plus denses à haute vitesse, puis diminue le régime pour combiner les ingrédients. Ce programme permet également aux ingrédients de circuler dans le récipient, assurant une aération maximale et une texture crémeuse.

AUTO PULSER / GLACE BROYÉE (60 secondes)

Ce programme a été optimisé pour concasser la glace et est idéal pour mélanger les ingrédients nécessitant de brefs jets de puissance. La quantité maximale de cubes de glace pouvant être broyés à la fois est 1 tasse (250 g) de glace.

AUTONETTOYAGE

Utilisez cette fonction pour dégager les résidus d'aliments laissés sur les parois du récipient et autour des lames. Versez 2 tasses d'eau chaude savonneuse dans le récipient et appuyez sur la touche AUTO CLEAN (AUTO NET).

Pour enlever les ingrédients plus tenaces, collants ou épais, ajoutez ½ c. à thé de savon à vaisselle, cela aidera à les dégager. Pour de meilleurs résultats, procédez à un tel nettoyage immédiatement après chaque utilisation.



NOTE

Si vous appuyez sur une autre touche lorsqu'une vitesse est déjà activée, le mélangeur passera automatiquement au nouveau programme sans s'arrêter.



AVERTISSEMENT

Ne mettez jamais autre chose que des aliments ou des liquides dans le récipient du mélangeur pendant que le moteur est en marche.



NOTE

Utilisez la touche AUTO PULSER / GLACE BROYÉE quand les aliments que vous traitez sont trop épais ou trop gros pour pouvoir circuler à l'intérieur du récipient.

Assurez-vous toujours que le mélangeur est éteint en enfonçant la touche MARCHÉ | ARRÊT du panneau de commande, puis débranchez l'appareil. Assurez-vous que le moteur et les lames sont complètement immobilisés avant de déplacer l'appareil, lorsqu'il n'est pas en opération et avant de le démonter, de le nettoyer et de le ranger.



Trucs & astuces

- Si le volume d'ingrédients est inférieur à la ligne MAX en cours de mélange, vous pouvez retirer le bouchon-mesure et ajouter de l'huile ou du liquide pendant que le mélangeur est en marche.
- Faites fonctionner le mélangeur durant le temps requis seulement - ne pas trop mélanger les ingrédients.
- N'excédez pas la marque MAX lorsque vous ajoutez des aliments ou du liquide dans le récipient.
- Les ingrédients peuvent adhérer aux parois du récipient. Pour les acheminer vers les lames, éteignez d'abord l'appareil et débranchez-le. Racliez les parois du récipient à l'aide d'une spatule en plastique et poursuivez l'opération.
- Si de l'humidité ou du liquide apparaît sur le socle motorisé durant le mélange, éteignez l'appareil et débranchez-le. Retirez le récipient et essuyez immédiatement le socle avec un chiffon sec ou un essuie-tout.
- Une vitesse ou une fonction peut être sélectionnée en tout temps, même pendant que le moteur tourne. Appuyez sur une autre vitesse ou fonction et le mélangeur passera à l'autre programme immédiatement.



À faire

- ✓ Utilisez la fonction MÉLANGER pour les boissons, cocktails et émulsions comme la mayonnaise, les vinaigrettes, les marinades et les aliments qui requièrent un mélange approfondi. Utilisez également cette fonction pour les pâtes liquides et les potages et pour aérer les liquides.
- ✓ Vous pouvez combiner les fonctions MÉLANGER et AUTO PULSER / GLACE BROYÉE en cours de mélange.
- ✓ Utilisez la fonction SMOOTHIE pour transformer les fruits, la crème glacée et le yogourt en smoothies, boissons crémeuses ou laits frappés.
- ✓ Utilisez la fonction AUTO PULSER / GLACE BROYÉE avec de brefs jets de puissance pour mélanger les boissons contenant des glaçons ou fruits surgelés.
- ✓ Coupez les aliments en cubes d'environ 2,5 cm/1 po, si nécessaire, pour obtenir un mélange homogène.
- ✓ Ne mettez pas plus de 2 tasses d'ingrédients chauds dans le récipient avant de commencer à mélanger. Une fois le processus enclenché et les lames en mouvement, vous pourrez ajouter progressivement 1½ tasse d'ingrédients par l'ouverture du couvercle, si désiré.
- ✓ Les mélanges épais se transforment plus facilement en purée si le récipient est rempli au quart ou à la moitié.
- ✓ Lorsque vous mélangez divers ingrédients, mettez les ingrédients liquides avant les ingrédients solides, sauf si autrement stipulé dans la recette. Lors du mélange d'ingrédients épais ou secs, il peut s'avérer utile d'arrêter le mélangeur et de racler les parois du récipient avec une spatule en plastique ou en caoutchouc, une ou deux fois durant le mélange.



À ne pas faire

- ✘ N'utilisez pas d'ustensiles en métal qui pourraient endommager les lames ou le récipient du mélangeur.
- ✘ Ne mélangez pas d'ingrédients épais plus de 10 secondes à la fois. Pour un mélange normal, comme la mayonnaise, les vinaigrettes, etc., ne mélangez pas plus de 60 secondes à la fois, puis éteignez le mélangeur et remuez les ingrédients avant de reprendre l'opération.
- ✘ Ne faites pas fonctionner le mélangeur sans le couvercle en place. Pour ajouter des ingrédients en cours de mélange, retirez le bouchon-mesure et insérez les ingrédients par l'ouverture du couvercle.
- ✘ Ne mettez aucun objet autre que les aliments ou les liquides dans le mélangeur lorsque le moteur est en marche.
- ✘ N'utilisez pas le récipient du mélangeur pour ranger des aliments.
- ✘ N'utilisez pas le mélangeur pour pétrir la pâte ou faire de la purée de pommes de terre.
- ✘ Ne retirez pas le récipient lorsque le mélangeur est en marche. Assurez-vous de l'avoir éteint en appuyant sur la touche MARCHE | ARRÊT et débranchez-le de la prise murale.
- ✘ Pour éviter que le moteur cale, ne surchargez pas le mélangeur au-delà de la quantité spécifiée. Éteignez l'appareil en appuyant sur la touche MARCHE | ARRÊT et débranchez-le. Retirez une portion d'aliments du récipient et poursuivez le mélange.
- ✘ Ne mélangez pas d'ingrédients très chauds ou bouillants dans le mélangeur; laissez-les tiédir avant de les mettre dans le récipient.
- ✘ Ne placez pas le mélangeur sur le bord d'un comptoir ou d'une table lorsqu'il est en marche. Assurez-vous que la surface de travail est de niveau, propre et sans eau, farine ou autre substance. La vibration causée par le fonctionnement du moteur peut faire bouger l'appareil.



Tableau de mélange

ALIMENTS	PRÉPARATION & USAGE	QUANTITÉ	FONCTIONS	TEMPS
Légumes crus	Parer, couper en cubes de 2cm/1po Usage : farce, garniture, purée, soupe	2 tasses/ 200g	MIXER/vitesse 2	10 - 30 sec
Noix	Retirer l'écale. Usage : gâteaux, garnitures, pâtes	1½ tasse/ 200g	MIXER/vitesse 2	10 - 30 sec
Chapelure de pain ou de biscuit	Couper en cubes de 2cm/1po, briser les biscuits/craquelins. Usage : croûte pour gâteau au fromage	1 tasse/ 100g	MIXER/vitesse 2	10 - 30 sec
Mayonnaise	Mélanger les jaunes d'oeufs et le vinaigre. Ajouter l'huile Usage : vinaigrette	½ tasse/ 125g	MIXER/vitesse 1 MÉLANGER/ vitesse 3	10 - 15 sec 60 sec
Crème fouettée	Ajouter le sucre et la vanille, si désiré. Usage : garniture	1¼ tasse/ 300ml	MIXER/vitesse 1 AUTO PULSER/ GLACE BROYÉE	10 - 20 secs 3 - 6 secs
Fines herbes	Hachées ou coupées en deux. Usage : pâte	1¼ tasse/30g	MIXER/vitesse 1	20 - 30 sec
Smoothie	Lait, fruits frais entiers, yogourt, crème glacée Usage : lait fappé	4¾ tasses/ 1,1 L	SMOOTHIE	60 sec
Fruits frais	Baies hachées ou entières. Usage : sauce à dessert	2 tasses/ 250g	MÉLANGER/ vitesse 3	20 - 30 sec
Fruits séchés	Fruits séchés hachés Usage : hachis de fruits	2 tasses/ 300g	MIXER/vitesse 2	20 - 30 sec
Glace	Concasser. Usage : boissons, cocktails, slush	1 tasse/ 250g	AUTO PULSER/ GLACE BROYÉE	60 sec
Mélange de carottes	Tranches de 15 mm maximum Usage : boissons	5 tasses (600 g) + 900 ml (30 oz) d'eau	LIQUÉFIER/ vitesse 5	30 sec

NOTE : Ce tableau de mélange doit être utilisé à titre indicatif seulement.



Guide de dépannage

PROBLÈME

SOLUTION FACILE

Le moteur ne démarre pas ou les lames ne tournent pas

- Vérifiez si le récipient et le couvercle sont bien en place.
- Vérifiez si la touche MARCHE | ARRÊT et la touche de fonction/vitesse sélectionnée sont illuminées.
- Vérifiez si la fiche d'alimentation est bien insérée dans la prise électrique.

Les aliments ne sont pas hachés uniformément

- Il y a peut-être trop d'aliments traités en même temps ou les morceaux sont trop gros. Coupez les aliments en plus petits morceaux de même grosseur et mélangez par plus petites portions.
- Pour de meilleurs résultats, les aliments doivent être hachés en morceaux n'excédant pas 2 cm/1 po.

Les aliments sont hachés trop fins ou presque liquides

- Mélangez pour une période plus courte. Utilisez la fonction AUTO PULSER / GLACE BROYÉE pour plus de contrôle.

Les aliments collent à la lame et au récipient

- Le mélange est peut-être trop épais. Ajoutez un peu de liquide et/ou utilisez une vitesse plus basse.

Le mélangeur est surchargé

- Le mélangeur est muni d'un dispositif de protection du moteur. Si le moteur est surchargé, il s'arrêtera et l'icône de message de surcharge du moteur clignotera sur l'écran ACL. Si le mélangeur s'arrête et que le message OVERLOAD PROTECTION clignote, débranchez l'appareil et attendez 30 minutes pour laisser refroidir le moteur. Une fois refroidi, vous pourrez utiliser le mélangeur comme d'habitude.
- Nous recommandons de retirer une portion des aliments, de les couper en plus petits morceaux ou de procéder par plus petites portions.



Entretien & nettoyage

Récipient et couvercle

Dans le but de garder votre mélangeur propre et d'éviter que les aliments ne sèchent sur les lames, le récipient ou le couvercle, suivez la procédure ci-dessous dès que possible après utilisation :

- Rincez le récipient et le couvercle pour enlever les restes ingrédients.
- Ajoutez 2 tasses d'eau tiède, puis appuyez sur la touche AUTO NET. Si les ingrédients épais ou collants nécessitent un nettoyage supplémentaire, ajoutez quelques gouttes de détergent à vaisselle liquide.
- Rincez le récipient et le couvercle ou lavez-les séparément à l'eau chaude savonneuse avec un chiffon souple ou un goupillon.
- Il est plus facile de nettoyer le récipient immédiatement après usage.



AVERTISSEMENT

Les huiles contenues dans le zeste d'agrumes peuvent endommager le matériau du récipient de votre mélangeur s'il est exposé au zeste trop longtemps. Nettoyez toujours le récipient de votre mélangeur immédiatement après avoir traité le zeste d'agrumes.

Socle motorisé

Pour nettoyer le socle motorisé, essayez-le avec un chiffon doux et humide, puis séchez-le soigneusement. Essayez les particules d'aliments laissées sur le cordon d'alimentation.

Produits de nettoyage

N'utilisez pas de tampons à récurer ou de nettoyeurs abrasifs pour nettoyer le socle motorisé ou le récipient, car ils peuvent égratigner la surface. Utilisez uniquement de l'eau chaude savonneuse et un chiffon doux.

Lave-vaisselle

Le récipient et le couvercle peuvent être lavés au cycle standard du lave-vaisselle. Le récipient peut être placé sur le plateau inférieur; cependant le couvercle et le bouchon-mesure doivent être placés sur le plateau supérieur seulement. Veuillez noter que le fait de laver les pièces dans le lave-vaisselle sur une base régulière peut raccourcir leur durée de vie, dû à l'exposition prolongée aux détergents puissants, à l'eau chaude et à la pression.

Taches tenaces et odeurs

Les aliments à forte odeur comme l'ail, le poisson et certains légumes comme les carottes peuvent laisser une odeur ou des taches sur le récipient et le couvercle. Pour les éliminer, faites tremper le récipient et le couvercle pendant 5 minutes dans l'eau chaude savonneuse, puis lavez-les à l'eau tiède et un détergent doux. Bien rincer et sécher à fond. Rangez le récipient sans le couvercle.

Rangement

Rangez votre mélangeur à la verticale avec le récipient assemblé sur le socle motorisé ou à côté. Ne placez rien sur le dessus. Pour laisser l'air circuler, retirez le couvercle.



Notes

the Fresh & Furious®



ES-MX MANUAL DE INSTRUCCIONES

Breville®



Contenido

- 2 Breville recomienda anteponer la seguridad
- 8 Componentes
- 9 Funciones
- 12 Claves y consejos
- 15 Solucionar Problemas
- 16 Cuidado y limpieza

BREVILLE RECOMIENDA ANTEPONER LA SEGURIDAD

En Breville somos muy conscientes de lo importante que es la seguridad. La seguridad es nuestra prioridad a la hora de diseñar y fabricar productos para clientes como usted. En pos de su seguridad, le pedimos que ejerza suma precaución al usar cualquier aparato eléctrico y que cumpla con las siguientes precauciones.

CONSIDERACIONES IMPORTANTES

ANTES DE USAR ESTE EQUIPO, LEA TODAS LAS INSTRUCCIONES Y GUÁRDELAS PARA FUTURAS CONSULTAS

- Retire y deseche de forma segura cualquier material de empaque o etiquetas promocionales antes de usar la licuadora por primera vez.
- Para evitar el peligro de asfixia en niños pequeños, retire y deseche de forma segura la cubierta protectora instalada en el enchufe de este equipo.
- No deje la licuadora cerca del borde de una mesa o mostrador durante su funcionamiento. Asegúrese de que la superficie esté nivelada, limpia y libre de agua y otras sustancias. La vibración durante el funcionamiento puede hacer que el equipo se mueva.

- No deje el equipo cerca o sobre un quemador eléctrico o de gas caliente, ni donde pueda tocar un horno caliente.
- Siempre asegúrese de que la licuadora esté correctamente ensamblada antes de usarla. Consulte las instrucciones de montaje y funcionamiento.
- Use solo la jarra y la tapa que se incluyen con esta licuadora. El uso de aditamentos o accesorios no fabricados o indicados por Breville puede provocar un riesgo de incendio, descarga eléctrica o lesiones.
- Siempre asegúrese de que la licuadora esté correctamente ensamblada antes de usarla. Asegúrese de que la tapa de la licuadora esté asegurada en la parte superior de la jarra de la licuadora antes de hacerla funcionar.
- No deje la licuadora sin supervisión mientras está en uso.
- Siempre asegúrese de que el equipo esté apagado presionando el botón ON | OFF (Encendido | Apagado) del panel de control. Luego desconecte el cable. Asegúrese de que el motor y las cuchillas se hayan detenido por completo antes de intentar mover la licuadora, o cuando no esté en uso y quiera desmontarla, limpiarla y almacenarla.
- Evite el contacto con partes móviles.
- Si se atascan alimentos alrededor de la cuchilla de la licuadora, apáguela presionando el botón ON | OFF (Encendido | Apagado) del panel de control. Luego desconecte el cable. Asegúrese de que el motor y las cuchillas se hayan detenido por completo antes de retirar la jarra de la base del motor. Use una espátula para retirar o revolver los alimentos antes de continuar. No use los dedos, pues las cuchillas son afiladas.
- Mantenga las manos, dedos, cabello, ropa, así como espátulas y otros utensilios, alejados de la jarra de la licuadora mientras se encuentre funcionando.
- Nunca ponga los dedos, las manos o los utensilios dentro

de la jarra de la licuadora sin desconectar el equipo del tomacorriente.

- Tenga cuidado al manipular el conjunto de las cuchillas de la licuadora; las cuchillas son muy afiladas. También tenga cuidado tanto cuando vacíe la jarra de la licuadora como cuando la limpie. La manipulación inapropiada de las cuchillas puede causar lesiones.
- No retire la jarra de la licuadora de la base del motor mientras esté en uso.
- No use la licuadora para otro fin que no sea preparar alimentos o bebidas.
- El uso de aditamentos o accesorios no recomendados por el fabricante (incluidos los frascos de conservas) puede propiciar lesiones o daños a la licuadora.
- No haga funcionar el equipo sin comida o líquido en la jarra de la licuadora.



ADVERTENCIA

- No procese líquidos calientes ni hirviendo. Deje que los líquidos se enfríen antes de agregarlos a la jarra de la licuadora.
- No someta la jarra de la licuadora a condiciones extremas de calor o frío. Por ejemplo, no ponga la jarra fría en agua caliente, o viceversa.
- Mantenga limpio el equipo. Consulte las instrucciones sobre cuidado y limpieza de este manual.



ADVERTENCIA

No intente usar la licuadora si el mensaje “OVERLOAD PROTECTION” (Protección de sobrecarga) está parpadeando.

- Si la licuadora deja de funcionar y el mensaje “OVERLOAD PROTECTION” (Protección de sobrecarga) parpadea, desconecte la licuadora y espere 30 minutos hasta que el motor se haya enfriado. Una vez que se enfríe podrá volver a usar la licuadora como de costumbre. La luz intermitente indica que está listo para funcionar. Evite cualquier contacto con cuchillas o partes móviles.



ADVERTENCIA

No haga funcionar la licuadora con cargas pesadas y de forma continua por más de 10 segundos.

CONSIDERACIONES IMPORTANTES PARA TODOS LOS EQUIPOS ELÉCTRICOS

- Antes de usar el equipo, desenrolle el cable por completo.
- Para protegerse contra descargas eléctricas, no sumerja ni el cable, ni el enchufe ni la base del motor en agua u otros líquidos.
- No permita que el cable cuelgue del borde de una mesa o mostrador, toque superficies calientes o se enrede.
- Se debe supervisar a los niños para asegurarse de que no jueguen con el equipo.
- Supervise atentamente el uso de cualquier electrodoméstico por niños o en su presencia.
- Inspeccione regularmente el cable de alimentación, el enchufe de alimentación y el equipo en busca de daños. No use el equipo

si ha dejado de funcionar correctamente o se ha dañado de alguna manera.

Si esto ocurre, suspenda inmediatamente el uso del equipo y visite www.Breville.com o contacte al Centro de servicios de Breville para que lo examinen, reparen o ajusten.

- Para cualquier otro mantenimiento que no sea la limpieza, visite www.Breville.com o llame al Centro de Servicios de Breville.
- El equipo es para uso exclusivo en el hogar. No use el equipo en vehículos o embarcaciones en movimiento. No use el equipo al aire libre. No use este equipo para otro fin distinto al previsto. El mal uso puede causar lesiones.
- Si el enchufe no encaja completamente en el tomacorriente, consulte a un electricista calificado. No modifique el enchufe de ninguna manera.

INSTRUCCIONES DE CABLE DE ALIMENTACIÓN CORTO

Su equipo Breville está equipado con un cable de alimentación corto para disminuir el riesgo de lesiones a personas o daños a la propiedad que pudieran suceder si alguien lo tira o se tropieza con él, o si se enreda con otro cable más largo. Si se usa un cable de extensión, (1) la clasificación eléctrica marcada del juego de cables o de la extensión debe al menos igualar la clasificación eléctrica del equipo, y (2) el cable debe disponerse de tal forma que no caiga sobre una superficie donde un niño pudiera tirar de él o tropezar sin querer.

ENCHUFE BREVILLE ASSIST®

Su equipo Breville incluye el conveniente enchufe Assist®, cuyo diseño con un orificio para el dedo permite desconectar el equipo del tomacorriente de manera sencilla. Por razones de seguridad, se recomienda que conecte su equipo directamente a su propia toma de corriente en un circuito propio que esté separado de otros electrodomésticos. Es posible que su electrodoméstico no funcione correctamente si el circuito eléctrico está sobrecargado con otros electrodomésticos. No se recomienda su uso junto con una barra multicontacto o un cable de extensión.

HECHO CON COPOLIÉSTER EASTMAN TRITAN™

Principales beneficios del copoliéster Eastman Tritan™

Su licuadora está hecha con el copoliéster Eastman Tritan™, un polímero resistente y libre de BPA que se utiliza para fabricar productos para el hogar que pueden resistir el uso extremo y la limpieza repetida con lavavajillas. Los productos fabricados con copoliéster Eastman Tritan™ son resistentes a los golpes y a las roturas, y permanecen limpios y resistentes incluso después de cientos de ciclos en el lavavajillas.

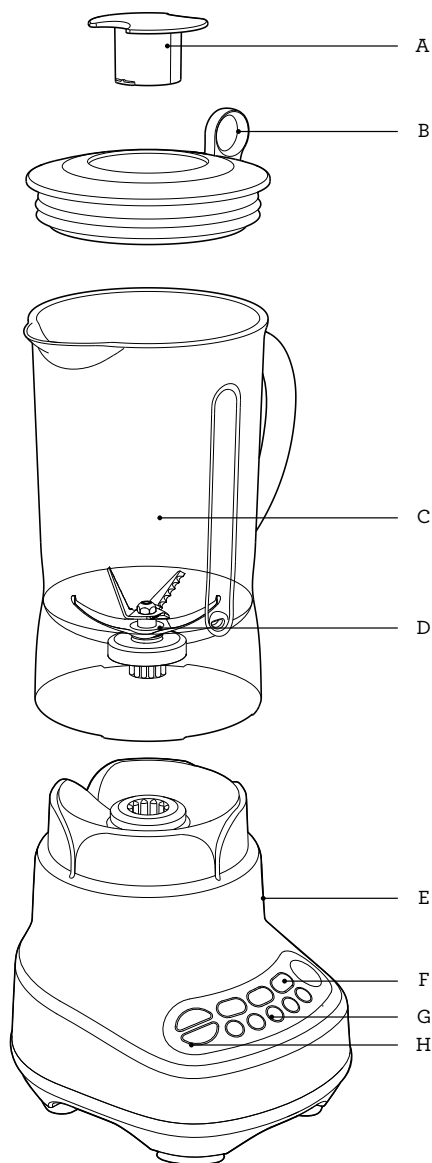
Atributos clave:

- Lavable en lavavajillas
- Resistente
- Libre de BPA
- Resistente a las temperaturas
- Resistente a los olores, sabores y manchas

**PARA USO EXCLUSIVO EN EL HOGAR.
GUARDE ESTAS INSTRUCCIONES**



Componentes



- A. Tapa medidora interna**
Para agregar ingredientes mientras licúa. Apta para lavavajillas (solo en la rejilla superior).
- B. Tapa Breville Assist™**
El diseño único de extracción de anillo permite tanto que la tapa sea fácil de quitar, como que permanezca cerrada herméticamente mientras usa el equipo. Apta para lavavajillas (solo en la rejilla superior).
- C. Jarro grande de 1.5 L de copoliéster Eastman Tritan™**
Las exclusivas hendiduras dobles distribuyen los ingredientes de forma continua hacia las cuchillas para lograr un mejor licuado. Apto para lavavajillas.
- D. Sistema de cuchillas y bol Kinetix**
Una tecnología revolucionaria de cuchillas hecha para lograr un resultado óptimo al procesar los alimentos.
- E. Base de la licuadora**
Para un rendimiento profesional y de largo aliento.
- F. Programas de SMOOTHIES (Batidos) y AUTO PULSE / ICE CRUSH (Pulso automático / Triturar hielo)**
Optimiza las capacidades de la licuadora para crear excelentes batidos y bebidas.
- G. Control electrónico de 5 velocidades**
Los controles electrónicos aseguran que la velocidad de RPM sea constante para conseguir resultados consistentes en todo momento.
- H. Programa de limpieza automática**
Elimina la mayoría de los ingredientes de las paredes de la jarra y la cuchilla.

Datos técnicos

120 V~ 60 Hz 1 100 W



Funciones

TENGA EN CUENTA LO SIGUIENTE ANTES DEL PRIMER USO

Antes de utilizar la licuadora por primera vez, retire cualquier material de empaque o etiquetas promocionales.

Lave la tapa, la tapa interior y la jarra de la licuadora (consulte “Cuidado y limpieza”) con agua jabonosa tibia y un paño suave. Enjuague y seque completamente.

La jarra de la licuadora es apta para lavar en el lavavajillas. La tapa y el vaso medidor se pueden lavar en el estante superior del lavavajillas. La base del motor se puede limpiar con un paño húmedo. Seque bien.



NOTA

Las cuchillas para mezclar son extremadamente afiladas. Evite cualquier contacto con los dedos y las manos.

ARMADO Y MONTAJE DE LA LICUADORA

Paso 1

Ponga la base del motor sobre una superficie plana y seca, como una encimera. Asegúrese de haber apagado el equipo con el botón ON | OFF (Encendido | Apagado) y de que el cable de alimentación esté desconectado.

Paso 2

Ponga la jarra de la licuadora en la base del motor, en posición vertical. El mango de la licuadora se puede poner al lado izquierdo o derecho del equipo.



Paso 3

Agregue comida o líquido en la jarra de la licuadora asegurándose de no exceder la marca ‘MAX’. Ponga la tapa de la licuadora firmemente en su posición en la parte superior de la jarra de la licuadora. Inserte la tapa transparente de medición interna en la tapa de la licuadora y gírela a favor de las manecillas del reloj para bloquearla en su posición.



Su licuadora cuenta con una tapa Breville Assist™. Esto permite que la tapa se ajuste firmemente en la jarra de la licuadora, lo que evita que se desplace durante el funcionamiento. El diseño de extracción en forma de anillo permite al usuario quitar la tapa fácilmente.

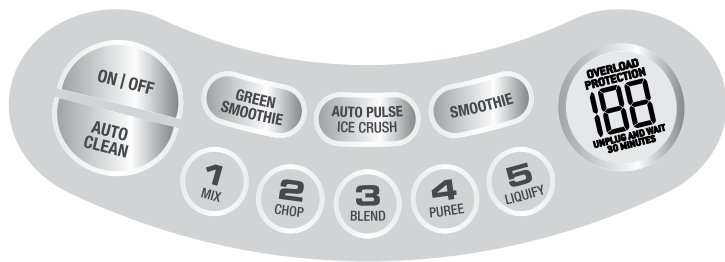
Paso 4

Conecte el cable de alimentación a un tomacorriente de 120 V.

Paso 5

Presione el botón ON | OFF (Encendido | Apagado) al extremo izquierdo del panel de control para encender la licuadora. El botón ON | OFF (Encendido | Apagado) se iluminará y parpadeará. La pantalla LCD del temporizador se iluminará y mostrará ‘00’.

- La luz intermitente indica que está listo para funcionar. Evite cualquier contacto con partes móviles mientras el equipo esté en funcionamiento.
- No llene la jarra de la licuadora por encima del rótulo MAX.



SELECCIÓN MANUAL DE VELOCIDAD

ON | OFF (Encendido | Apagado)

El botón ON | OFF (Encendido | Apagado) enciende el equipo en el modo READY (Listo).

Selección de control de velocidad

Hay 5 botones de velocidades electrónicas, desde MIX (Mezclar) hasta LIQUIFY (Licuar).

MIX (Mezclar) combina los alimentos más delicados con un movimiento de plegado, y es útil para combinar ingredientes húmedos y secos.

LIQUIFY (Licuar) es el ajuste más rápido. Es ideal para descomponer ingredientes a la hora de preparar salsas y hacer cocteles u otras mezclas muy licuadas.

Seleccione la velocidad requerida (de 1 a 5) presionando el botón de velocidad correspondiente. La licuadora comenzará a funcionar y el botón de velocidad seleccionado se iluminará. El botón ON | OFF (Encendido | Apagado) se iluminará y dejará de parpadear.

La pantalla LCD del temporizador comenzará a contar en incrementos de un segundo hasta alcanzar 60 segundos.

Cuando se alcanzan 60 segundos, la licuadora dejará de mezclar automáticamente y la luz del botón de la velocidad seleccionada se apagará. Esta es una característica de seguridad y limita el desgaste del motor. El botón ON | OFF (Encendido | Apagado) se iluminará y parpadeará. Después de unos segundos, la pantalla LCD del temporizador volverá a '00'.

- Para detener el licuado en cualquier momento, presione el botón de velocidad seleccionado. Aunque también es posible presionar el botón ON | OFF (Encendido | Apagado), esto también apagará el equipo y todas las iluminaciones.
- La velocidad se puede cambiar en cualquier momento durante el proceso de licuado. Cada vez que se selecciona una nueva velocidad, su botón se iluminará y la iluminación del botón de velocidad anterior se apagará.

Temporizador de conteo regresivo

El temporizador de la licuadora realiza una cuenta regresiva en segundos a medida que licúa en una de las 5 velocidades electrónicas. Al usar el temporizador de esta manera, la licuadora se detendrá después de 60 segundos.

PROGRAMAS PREDETERMINADOS

La licuadora posee tres funciones adicionales: 'AUTO PULSE / ICE CRUSH' (Pulso / Triturar hielo), 'GREEN SMOOTHIE' (Batido verde) y 'SMOOTHIE' (Batido). Estos tres ciclos preprogramados ajustan automáticamente el tiempo y las velocidades de licuado para optimizar los resultados de la mezcla.

Seleccione la función requerida presionando el botón de función correspondiente. La licuadora comenzará a funcionar y el botón de función seleccionado se iluminará. El botón ON | OFF (Encendido | Apagado) se iluminará y dejará de parpadear. La pantalla LCD del temporizador comenzará a contar en incrementos de un segundo hasta mostrar '00'. Presione cualquier botón de programa preestablecido para activar el programa. Si desea desactivarlo, presione el botón nuevamente.

GREEN SMOOTHIE **(Batido verde, 60 segundos)**

Este programa está optimizado para descomponer ingredientes duros enteros como frutas, verduras de hoja verde y semillas, y permitir que se combinen con otros ingredientes suaves y líquidos.

SMOOTHIE (Batido, 60 segundos)

Este programa está optimizado para combinar y airear ingredientes congelados y líquidos juntos. La función SMOOTHIE (Batido) cuenta con una técnica de procesamiento única que combina los ingredientes más densos a alta velocidad para luego disminuir la velocidad y combinar los ingredientes. La programación también hace circular los ingredientes para conseguir tanto la máxima aireación posible como una textura cremosa.

PULSE / ICE CRUSH **(Pulso / Triturar hielo, 60 segundos)**

Este programa está optimizado para picar hielo y procesar alimentos que requieren ráfagas repentinas de energía. También propicia que los ingredientes se muevan alrededor de la jarra al poder tener control de los ciclos de pulso. La cantidad máxima de cubos de hielo que la licuadora puede procesar a la vez es de 1 taza de hielo (aprox. 250 g).

AUTO CLEAN (Limpieza automática)

Úselo para eliminar la mayoría de los restos de las paredes y cuchillas de la licuadora. Agregue 2 tazas de agua jabonosa tibia a la jarra de la licuadora y presione el botón AUTO CLEAN (Limpieza automática).

Para ingredientes más pegajosos, espesos o difíciles de limpiar, agregue ½ cucharadita de líquido lavaplatos para aumentar el poder de limpieza. Para obtener mejores resultados, limpie la jarra de la licuadora de esta manera inmediatamente después de su uso.

NOTA

Si la licuadora está en funcionamiento y presiona un botón de otra función preestablecida, la velocidad cambiará automáticamente a ese programa sin detenerse.

ADVERTENCIA

Nunca ponga nada más que alimentos o líquidos dentro de la licuadora mientras el motor esté en funcionamiento.

NOTA

Use el botón Auto Pulse / Ice Crush (Pulso automático / Triturar hielo) cuando la comida que se está procesando es demasiado gruesa o densa para circular dentro de la jarra de la licuadora.

Luego de usar la licuadora, siempre asegúrese de que esté apagada presionando el botón ON | OFF (Encendido | Apagado) del panel de control, y luego desconecte el cable. Asegúrese de que el motor y las cuchillas se hayan detenido por completo antes de intentar mover la licuadora, o cuando no esté en uso y quiera desmontarla, limpiarla y almacenarla.



Claves y consejos

- Si el volumen de lo que se esté mezclando (mientras se mezcla) está por debajo de la marca del nivel máximo, se puede remover el vaso medidor interno y agregar aceites o líquidos mientras la licuadora esté en uso.
- Haga funcionar la licuadora solo durante el tiempo necesario; no mezcle demasiado los ingredientes.
- No sobrepase la marca del límite máximo cuando agregue alimentos o líquidos a la licuadora.
- Si sobrepasa esta marca, los ingredientes podrían adherirse a los lados de la jarra de la licuadora. Para empujar la comida hacia las cuchillas, apague la licuadora y desenchúfela del tomacorriente. Use una espátula plástica para raspar los lados de la jarra y continúe licuando.
- Si aparece humedad o líquido sobre la base del motor durante la mezcla, apague la licuadora y desenchúfela del tomacorriente. Retire la jarra de la licuadora y limpie la base del motor inmediatamente con un paño seco o una toalla de papel.
- Se puede seleccionar una velocidad o función en cualquier momento, incluso mientras la licuadora está funcionando. Presione la nueva velocidad o programa, y la licuadora cambiará de operación inmediatamente.



Qué hacer

- ✓ Use la función BLEND (Combinar) para bebidas, cócteles, emulsiones como mayonesa, aderezos, adobos y alimentos que requieren mezclarse hasta que se combinen. También use esta función para rebozar, hacer puré a partir de sopas y airear líquidos.
- ✓ Use una combinación de las funciones BLEND (Combinar) y AUTO PULSE / ICE CRUSH (Auto pulso / Triturar hielo) para procesar los alimentos que se están mezclando.
- ✓ Use la función SMOOTHIE (Batido) para mezclar frutas, helados y yogures en batidos espesos, bebidas mezcladas y malteadas.
- ✓ Use la función AUTO PULSE / ICE CRUSH (Auto pulso / Triturar hielo) para crear breves ráfagas de energía y mezclar bebidas que contengan cubitos de hielo o fruta congelada.
- ✓ Asegúrese de que todos los alimentos estén cortados en cubos cuando lo requiera para lograr un resultado uniforme.
- ✓ No ponga más de 2 tazas (473 g) de ingredientes calientes en la jarra de la licuadora antes de comenzar a mezclar. Si lo desea, después de que el proceso de mezcla haya comenzado y las cuchillas estén girando, puede agregar lentamente 1½ taza de ingredientes a través de la abertura de la tapa.
- ✓ Las mezclas gruesas se hacen puré de manera más eficiente si la jarra está llena de un cuarto a la mitad de su capacidad.
- ✓ Cuando use varios ingredientes, ponga los ingredientes líquidos en la jarra de la licuadora antes de los ingredientes sólidos, a menos que se especifique en la receta. Al procesar mezclas gruesas o secas, puede que sea necesario detener la licuadora y raspar los lados de la jarra con una espátula de plástico o de goma, una o dos veces durante la mezcla.



Qué no hacer

- ✘ No use utensilios de metal, ya que pueden dañar las cuchillas o la jarra de la licuadora.
- ✘ No procese mezclas gruesas durante más de 10 segundos. Para las tareas normales de mezclado de, por ejemplo, mayonesa aderezos, etc., no haga funcionar el equipo por más de 60 segundos a la vez sin apagar la licuadora y sin revolver los ingredientes, y luego continúe licuando.
- ✘ No haga funcionar la licuadora sin tener la tapa en su posición. Para agregar ingredientes adicionales durante la mezcla, retire la tapa interior y coloque los ingredientes a través de la abertura en la tapa.
- ✘ Nunca ponga ningún objeto más que alimentos o líquidos dentro de la licuadora mientras el motor esté en funcionamiento.
- ✘ No use la jarra de la licuadora para almacenar alimentos.
- ✘ La licuadora no amasa ni hace puré de papas.
- ✘ No retire la jarra de la licuadora mientras esté en uso. Siempre asegúrese de que la licuadora esté apagada presionando el botón ON | OFF (Encendido | Apagado) y desconectando el cable de alimentación del tomacorriente.
- ✘ No sobrecargue la licuadora con más de la cantidad especificada de ingredientes, ya que hacer esto podría causar que el motor se atasque. Apague la licuadora presionando el botón ON | OFF (Encendido | Apagado) del panel de control y luego desenchúfela. Retire una porción de la mezcla de la jarra de la licuadora antes de continuar.
- ✘ No ponga ingredientes calientes o hirviendo en la licuadora. Deje que los líquidos se enfríen antes de agregarlos a la jarra de la licuadora.
- ✘ No deje la licuadora cerca del borde de una mesa o mostrador durante su funcionamiento. Asegúrese de que la superficie esté nivelada, limpia y libre de agua, harina y otras sustancias. La vibración durante el funcionamiento puede hacer que el equipo se mueva.



Tabla de mezclas

COMIDA	PREPARACIÓN Y USO	CANTIDAD	FUNCIONES	TIEMPO
Verduras crudas	Retire los excesos, corte en trozos de 2.5 cm Use las verduras para hacer rellenos, puré o sopa	2 tazas / 200g	MIX (Mezclar) / Velocidad 1	10 - 30 segundos
Frutos secos	Quite las cáscaras. Use los frutos secos para pasteles, coberturas o pastas	1½ tazas / 200 g	MIX (Mezclar) / Velocidad 1	10 - 30 segundos
Pan o Migas de galletas	Corte en trozos de 2.5 cm, rompa las galletas / galletas saladas. Use para masas de pastel de queso	1 taza / 100 g	MIX (Mezclar) / Velocidad 1	10 - 30 segundos
Mayonesa	Mezcle la yema de huevo y el vinagre. Agregue el aceite. Use como aderezo	½ taza / 125 g	MIX (Mezclar) / Velocidad 1 BLEND (Mezclar) / Velocidad 3	10 - 15 segundos 60 segundos
Crema batida	Si lo desea, agregue azúcar o vainilla. Use como cobertura	1¼ tazas / 300 ml	MIX (Mezclar) / Velocidad 1 AUTO PULSE / ICE CRUSH (Pulso automático / Triturar hielo)	10 - 20 segundos 3 - 6 segundos
Hierbas	Picadas o reducidas a la mitad. Use para pastas	1¼ tazas / 30 g	MIX (Mezclar) / Velocidad 1	20 - 30 segundos
Smoothie (Batido)	Leche, frutas frescas enteras, yogurt, helado. Use para malteadas o granizados	4¾ tazas / Max 1100 ml	SMOOTHIE (Batido)	60 segundos
Fruta fresca	Frutos rojos picados o enteros. Use en salsas para postres	2 tazas / 250 g	BLEND (Mezclar) / Velocidad 3	20 - 30 segundos
Fruta deshidratada	Fruta deshidratada cortada. Use para papillas de frutas	2 tazas / 300 g	MIX (Mezclar) / Velocidad 1	20 - 30 segundos
Hielo	Triturar. Use en bebidas, cócteles o sorbetes	1 taza (250 g)	AUTO PULSE / ICE CRUSH (Pulso automático / Triturar hielo)	60 segundos
Mezcla de zanahoria	Zanahorias cortadas en trozos de no más de 15 mm. Use en bebidas	5 tazas (600 g) +900 ml de agua	LIQUIFY (Licuar) / VELOCIDAD 5	30 segundos

NOTA: Esta tabla de mezcla solo debe usarse como guía.



Solucionar problemas

PROBLEMA	SOLUCIÓN SENCILLA
El motor no arranca o la cuchilla no gira.	<ul style="list-style-type: none">• Asegúrese de que la jarra y la tapa de la licuadora estén bien puestas.• Verifique que el botón ON OFF (Encendido Apagado) y la configuración de la función o velocidad estén iluminados.• Compruebe que el enchufe de alimentación esté bien insertado en el tomacorriente.
La comida se corta de manera desigual	<ul style="list-style-type: none">• Esto puede suceder cuando se agrega demasiada comida a la vez o cuando los trozos son muy grandes. Intente picar o cortar los alimentos en trozos más pequeños de tamaño uniforme, para así procesar una cantidad menor por lote.• Para obtener mejores resultados, la comida debe estar en trozos de no más de 2.5 cm.
La comida está picada demasiado fina o es acuosa	<ul style="list-style-type: none">• Intente mezclar por un período de tiempo más corto. Use la función AUTO PULSE / ICE CRUSH (Pulso automático / Triturar hielo) para un mejor control.
La comida se pega a la cuchilla y la jarra	<ul style="list-style-type: none">• Puede que la mezcla sea demasiado densa. Intente agregar más líquido y/o use una velocidad más lenta para mezclar.
Licuadora sobrecargada	<ul style="list-style-type: none">• Su licuadora cuenta con un mecanismo de protección del motor. Si el motor se sobrecarga, se detendrá y aparecerá un ícono de advertencia de sobrecarga en la pantalla LCD que parpadeará. Si la licuadora deja de funcionar y el mensaje “OVERLOAD PROTECTION” (Protección de sobrecarga) parpadea, desconecte la licuadora y espere 30 minutos hasta que el motor se haya enfriado. Una vez que se enfríe podrá volver a usar la licuadora como de costumbre.• Recomendamos quitar una porción de la mezcla, cortar los ingredientes en trozos más pequeños o procesar una menor cantidad por lote.



Cuidado y limpieza

Jarra y tapa

Para mantener limpias la jarra y la tapa, y evitar que se sequen los alimentos adheridos a ellas, siga estos pasos lo antes posible después de su uso.

- Enjuague la mayoría de los restos de ingredientes del bol y la tapa.
- Agregue 2 tazas (473 ml) de agua jabonosa tibia y presione el botón AUTO CLEAN (Limpieza automática). Si los ingredientes espesos o pegajosos requieren una mayor limpieza, agregue unas gotas de detergente líquido para platos.
- Enjuague la jarra y la tapa nuevamente o lave las partes por separado con agua jabonosa tibia y un paño suave o un cepillo para botellas.
- Es más efectivo limpiar la jarra inmediatamente después de usarla.



ADVERTENCIA

Los aceites de la cáscara de los cítricos pueden dañar el material de la jarra de la licuadora si se expone a ellos durante un período más prolongado. Siempre limpie la jarra de la licuadora inmediatamente después de procesar la cáscara de los cítricos.

Base del motor

Para limpiar la base del motor, utilice un paño suave y húmedo y luego séquela completamente. Limpie cualquier resto de comida del cable de alimentación.

Elementos de limpieza

No use esponjas abrasivas ni limpiadores para limpiar la base del motor o la jarra, ya que pueden rayar la superficie. Use solo agua jabonosa tibia con un paño suave.

Lavavajillas

La jarra de la licuadora y la tapa son aptas para lavavajillas en un ciclo de lavado estándar. La jarra de la licuadora se puede poner en la rejilla inferior del lavavajillas, sin embargo, la tapa y el vaso medidor interno se deben lavar solo en la rejilla superior. Debe saber que lavar las piezas regularmente en el lavavajillas puede acortar su vida útil debido a la exposición prolongada a detergentes abrasivos, agua caliente y presión.

Manchas y olores de comida difíciles de remover

Los alimentos de olor fuerte como el ajo o el pescado, o algunas verduras como las zanahorias, pueden dejar olores o manchar la jarra de la licuadora o la tapa. Para retirar, remoje la jarra y la tapa de la licuadora durante 5 minutos en agua jabonosa tibia. Luego lave con un detergente suave y agua tibia y enjuague y seque bien. Guarde la jarra con la tapa abierta.

Almacenamiento

Guarde la licuadora en posición vertical y ponga la jarra de la licuadora en la base del motor, o detrás de ella. No ponga nada encima. Mantenga la tapa cerrada para permitir que circule el aire.



Notas

Breville Consumer Support

USA **Mail:** Breville USA
 19400 S. Western Ave, Torrance CA
 90501-1119

Phone: 1-866-273-8455
 1-866-BREVILLE

Web: breville.com/us/support

Canada **Mail:** Breville Canada
 9800 Boulevard Cavendish,
 Suite 250, Saint-Laurent
 Québec, H4M 2V9

Phone: 1-855-683-3535

Web: breville.ca/support

Mexico **Mail:** Breville México, S.A. de C.V.
 Blvd. Miguel de Cervantes Saavedra # 169
 Col. Granada C.P. 11520
 Delegación Miguel Hidalgo
 CDMX México

Phone: 1-800-953-1668

Web: breville.mx/support

Breville®

Master Every Moment™

Breville is a registered trademark of Breville Pty. Ltd. A.B.N. 98 000 092 928.
Copyright Breville Pty. Ltd. 2020.

- Due to continued product improvement, the products illustrated/photographed in this brochure may vary slightly from the actual product.
- En raison de son amélioration continue, le produit représenté sur cet emballage peut différer légèrement du produit réel.
- Perfeccionamos nuestros productos continuamente, por lo que el artículo podría diferir ligeramente de la ilustración o imagen en este documento.

BBL620 Series • Séries • Serie

USCM – H20