

*the 3X Bluicer® Pro*



EN INSTRUCTION BOOK

FR-CA MANUEL D'INSTRUCTIONS

ES-MX MANUAL DE INSTRUCCIONES

**Breville®**



## Contents

- 2 Breville Recommends  
Safety First
- 7 Components
- 8 Assembly
- 11 Functions
- 14 Care & Cleaning
- 16 Troubleshooting

## BREVILLE RECOMMENDS SAFETY FIRST

**At Breville we are very safety conscious. We design and manufacture consumer products with the safety of you, our valued customer, foremost in mind. In addition, we ask that you exercise a degree of care when using any electrical appliance and adhere to the following precautions.**

## IMPORTANT SAFEGUARDS

### READ ALL INSTRUCTIONS BEFORE USE AND SAVE FOR FUTURE REFERENCE

- Before using the first time ensure your electricity supply is the same as shown on the label on the underside of the appliance. This appliance is equipped with a power cord having a grounding wire with a grounding plug. The appliance must be grounded using a properly grounded outlet. In the event of an electrical fault, grounding reduces the risk of electrical shock.
- Do not, under any circumstances, cut or remove the third (ground) prong from the power cord or use an adapter.
- Consult a qualified electrician if the grounding instructions are not completely understood, or if doubt exists as to whether the appliance is properly grounded.

- The installation of a residual current safety switch is recommended to provide additional safety when using all electrical appliances. Safety switches with a rated operating current not more than 30mA are recommended. Consult an electrician for professional advice.
- Remove and discard any packaging materials safely, before first use.
- To eliminate a choking hazard for young children, discard the protective cover fitted to the power plug safely.
- Always ensure the appliance is properly assembled, as per instructions, before use. Using the appliance without being properly assembled may cause product malfunction, product damage or pose safety risk including personal injury.
- This appliance is for household use only. Do not use the appliance for anything other than its intended purpose. Do not use in moving vehicles or boats. Do not use outdoors. Misuse may cause injury.
- Position the appliance on a stable, heat resistant, level, dry surface away from the counter edge, and do not operate on or near a heat source such as a hot plate, oven or gas hob.
- Fully unwind the power cord before operating.
- Do not let the power cord hang over the edge of a counter or table. Do not let the power cord touch hot surfaces or become knotted.
- Do not leave the appliance unattended when in use.
- If the appliance is to be left unattended, cleaned, moved, assembled or stored, always switch off the appliance by pressing the ON | OFF button to OFF. Unplug from the power outlet. To unplug, grasp the plug and pull from the outlet. Never pull from the power cord.
- Turn the appliance OFF, then unplug from the outlet when not in use, before assembling or disassembling parts and before cleaning. To unplug, grasp the plug and pull from the outlet. Never pull from the power cord.

- Regularly inspect the power cord, plug and actual appliance for any damage. If found to be damaged in any way, immediately cease use of the appliance and return the entire appliance to the nearest authorized Breville Service Center for examination, replacement or repair.
- Keep the appliance and accessories clean. Follow the cleaning instructions provided in this book. Any procedure not listed in this instruction booklet should be performed at an authorized Breville Service Center.
- This appliance is not intended for use by children or by persons with reduced physical, sensory, or mental capabilities, or lack of experience and knowledge. Close supervision is necessary when any appliance is used near children. Children should be supervised to ensure that they do not play with the appliance.
- Children should not play with the appliance.
- Cleaning of the appliance should not be carried out by children.
- The appliance power cord, and any components, attachments or accessories should be kept out of reach of children aged 8 years and younger.
- Never use attachments or accessories that are not supplied with this product or authorised by Breville to be used on this product. Failing to follow this instruction may cause product malfunction, product damage, fire, electric shock or injury.
- Do not attempt to operate the appliance by any method other than those described in this booklet.
- Do not move the appliance while in operation.
- Do not operate the appliance on an inclined surface.
- Flashing light indicates ready to operate. Avoid any contact with blades or moveable parts.
- Do not put your fingers or other objects into the juicer opening while it is in operation. If food becomes lodged in opening, use food pusher or another piece of fruit or vegetable to push it down. When this method is not possible turn the motor off and disassemble juicer to remove the remaining food.
- Do not juice stone fruit like peach, plum or cherry unless seeds and/or stones have been removed.

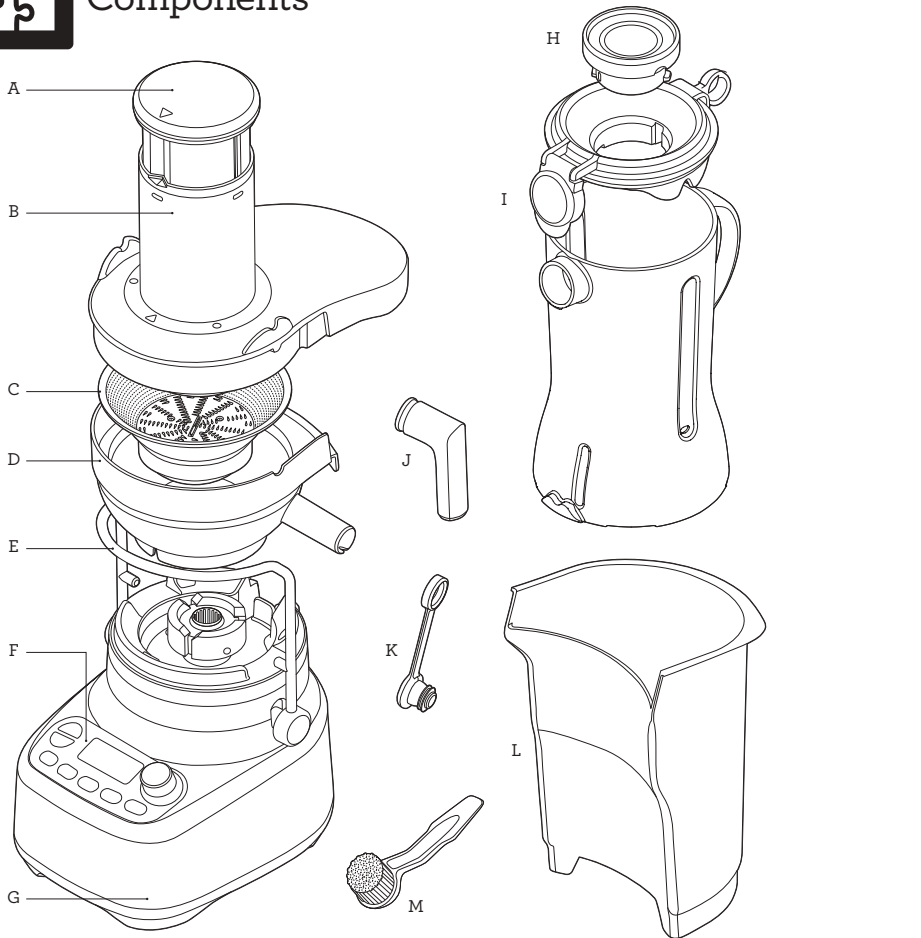
- Make sure the product is turned OFF and the stainless-steel filter basket has stopped rotating and the motor has completely stopped before releasing the safety locking arm and/or attempting to move the appliance, when the unit is not in use, and before disassembling, cleaning and storing.
- Any significant spillage onto the surface under or around the appliance, or onto the appliance itself, should be cleaned and dried before continuing to use the appliance.
- Be careful when handling the stainless-steel filter basket as the small cutting blades at the base of the filter basket are very sharp. Mishandling may cause injury.
- Blender blades are sharp, take care when handling, emptying and cleaning the blender jug.
- Remove rind from all citrus fruit before juicing.
- Do not use the appliance if the rotating sieve (filter basket) or lid is damaged.
- Always make sure juicer cover is clamped securely in place before motor is turned on.
- Do not operate without the pulp container in place.
- Do not unfasten interlock arm while unit is in operation.
- Do not juice more than 6.5 pounds (3kg) of carrot at a time.
- Avoid putting the blender jug on the motor base while the motor is still spinning.
- Do not operate if the jug is empty.
- Never attempt to operate with damaged blades, or with utensils, or any foreign objects inside the jug.
- Keep hands and utensils out of container while blending to reduce the risk of severe injury to persons or damage to the blender. A scraper may be used but only when the unit is powered off.
- Do not put the jug in extremes of heat or cold, for example placing a cold jug into hot water, or vice versa.
- Lid must be firmly secured to the jug before operation to ensure internal contents do not escape, spray or overflow.
- Do not remove the jug from the motor base while blender is in use.

- Do not use blender while OVERLOAD PROTECTION is flashing on the LCD. If this occurs, unplug the blender and wait for 30 minutes until the motor has cooled. Once cooled, you will be able to use the blender as usual again.
- Do not process hot or boiling liquids. Allow to cool before placing into the blender jug.
- To protect against electric shock, do not immerse the power plug, cord or appliance in water or any liquid.
- Authorized Breville Service Centers can be found on our website **[www.Breville.com](http://www.Breville.com)**
- The appliance power rating is based on the attachment that draws the maximum power, other attachments may draw significantly less power.

**FOR HOUSEHOLD USE ONLY  
SAVE THESE INSTRUCTIONS**



## Components



- A. Food pusher (not dishwasher safe)
- B. Juicer cover (dishwasher safe)
- C. Stainless steel filter basket (dishwasher safe)
- D. Filter bowl surround (dishwasher safe)
- E. Interlocking safety arm  
Stops motor base operating without cover locked into place.
- F. Control panel
- G. Stainless steel motor base
- H. Inner measuring cup (dishwasher safe)
- I. 50 fl oz (1.5L) blending jug & lid (dishwasher safe)
- J. Juicing nozzle (dishwasher safe)  
Can be placed over spout to juice directly into a cup.
- K. Drip stop plug
- L. Pulp container (dishwasher safe)
- M. Cleaning brush  
For use on Stainless Steel Filter Basket.

**Rating Information**  
120 V~ 60 Hz 1000 W



## Assembly

### BEFORE FIRST USE

Wash the lid, inner measuring cup, jug, the filter bowl surround, filter basket, juicer cover, food pusher and pulp container in warm, soapy water with a soft cloth. Rinse and dry thoroughly.

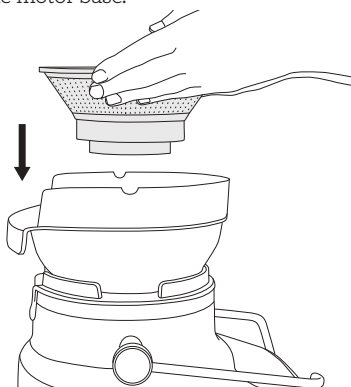
Place motor base on a flat, dry surface such as a countertop. Ensure that the appliance is switched to OFF at the motor base and the power cord is unplugged.

### JUICING

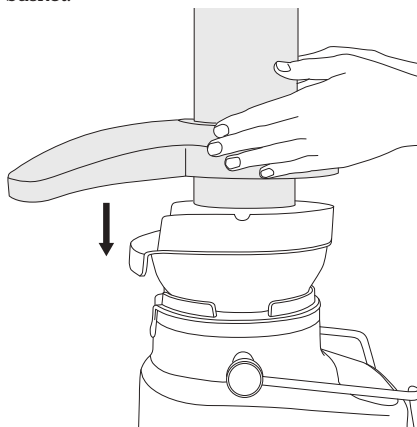
1. Place filter bowl surround on top of the motor base.



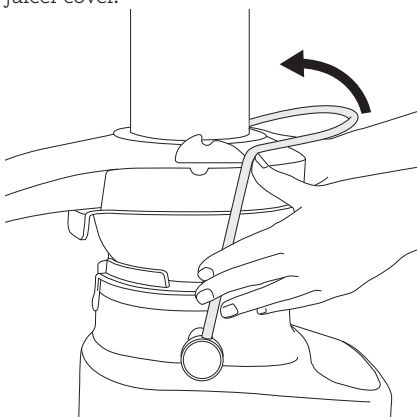
2. Align the arrows at the base of the stainless-steel filter basket with the arrows on the motor drive coupling and push down until it clicks into place to create a secure fit with the motor base.



3. Place the juicer cover over the filter bowl surround, positioning the lower part of the feed chute over the stainless steel filter basket.

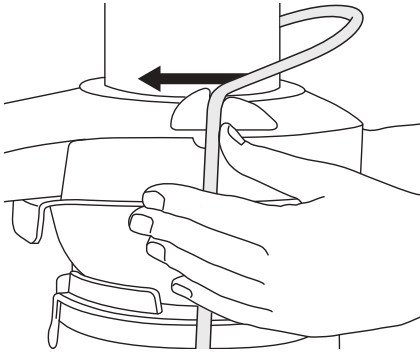


4. Raise the safety locking arm up and locate into the two grooves on either side of the juicer cover.

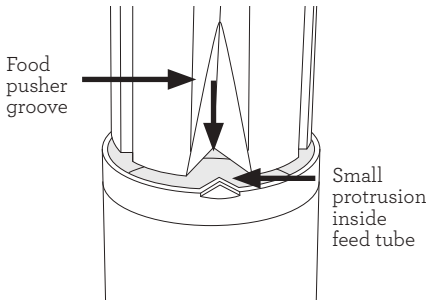




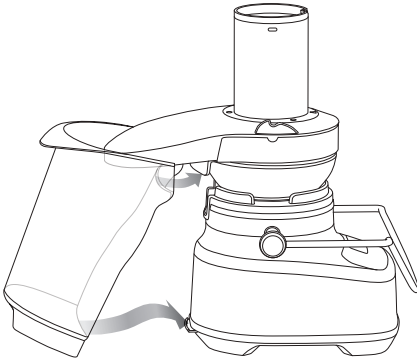
- The safety locking arm should now be in a vertical position and locked into place on top of the juicer cover.



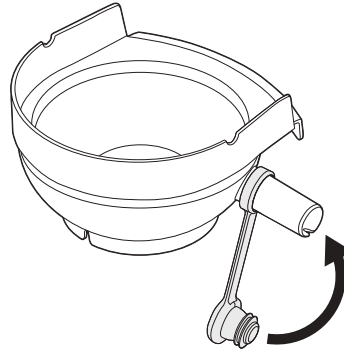
- Slide the food pusher down the food chute by aligning the groove in the food pusher, with the small protrusion on the inside of the top of the feed tube.



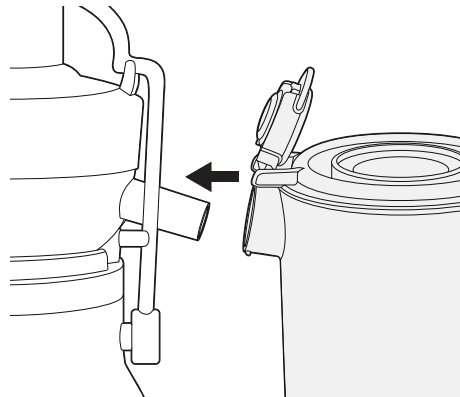
- Place the pulp container into position by tilting and lifting the motor base slightly. Insert the pulp container under the juicer cover on the back ensuring the front edge is tucked under the back lip of the filter bowl surround and the bottom edge is clipped into the bottom of the motor base.



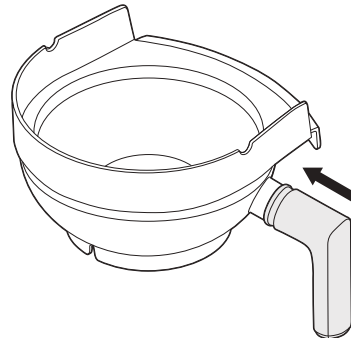
- The drip stop plug can be fitted over juice outlet nozzle. It then allows the outlet to be plugged to prevent dripping after juicing.



- Fit the lid to the blender jug and position jug under juice spout.

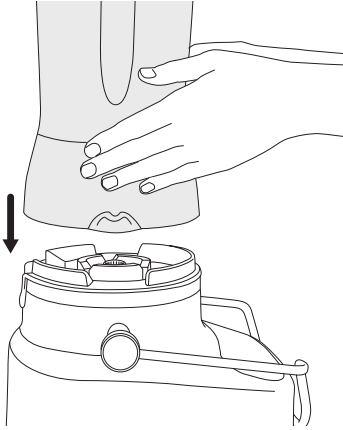


- Optional: For juicing into a cup the Juicing Nozzle can be fitted onto the juice outlet nozzle.

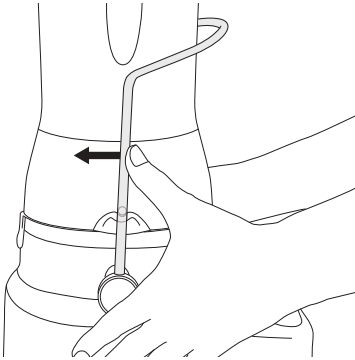


## BLENDING

1. With the blender jug in the upright position place it on the motor base. The handle of the blender can be positioned to the left or right-hand side of the appliance.

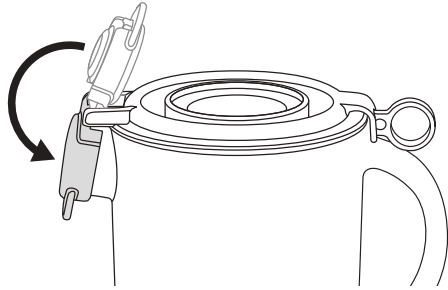


2. Raise the safety locking arm up and locate it into the two grooves on either side of the blender.



3. Add food or liquid into the blender jug ensuring not to exceed the 'MAX' line. Place the blender lid firmly into position on the top of the blender jug. Insert the clear, inner measuring lid into the blender lid and turn clockwise to lock into position. The jug features a Breville® Assist™ Lid. This allows the lid to fit tightly onto the blender jug, avoiding displacement during operation.

4. Ensure the spout cover of the blender lid is clipped into place and closed. The ring pull design allows the user to easily remove the lid with a simple leverage action.

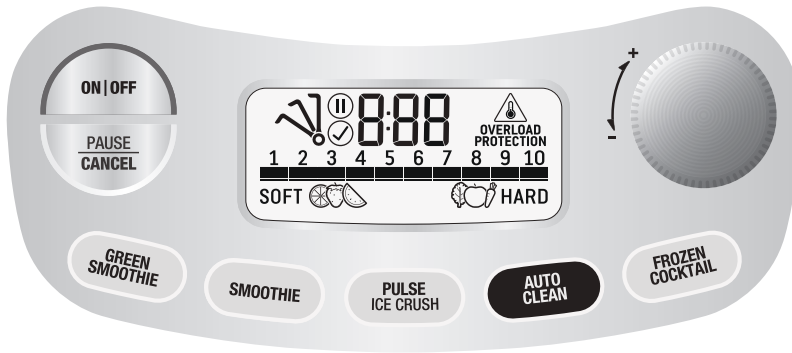


After appliance is assembled into blender or juicer configuration, plug power cord into a 120V power outlet.

Press the ON | OFF button to turn the appliance on. The ON | OFF button will illuminate. The LCD timer screen will illuminate with '0:00' displayed.



## Functions



### GETTING STARTED

The ON | OFF button powers the unit into READY mode (red light blinking).

### PRESET PROGRAMS

#### BLENDING

The appliance has 5 preset functions: GREEN SMOOTHIE, SMOOTHIE, PULSE/ICE CRUSH, AUTO CLEAN and FROZEN COCKTAIL. These pre-programmed cycles automatically adjust the blending time and speeds to optimize blending results. These programs are only activated when your appliance is in blender set up. They can't be used when your appliance is set up in juicing configuration.

Select the required function by pressing the corresponding function button. The unit will start to operate, and the selected function button will illuminate. The timer will start to count down and program will end automatically when it reaches '0:00'.

The program and timer can be paused by pressing the pause button. Resume by pressing program button again, or cancel by pressing pause again.

The program can also be canceled at any time by pressing the ON|OFF button.

Turning the speed dial will interrupt the program, placing the blender in manual mode starting from Speed 1.

#### GREEN SMOOTHIE

For blending whole fruits/vegetables into a smooth beverage. A combination of high-speed profiles breaks down tough fibers into very fine particles.

#### SMOOTHIE

For dairy-based smoothies a combination of speeds and pulses are designed to combine and aerate ingredients into a smooth and creamy texture.

#### PULSE / ICE CRUSH

A program of continuous pulsing designed to chop food into an even consistency or crush ice cubes. Use the PULSE button when the food that is being processed is too thick or coarse to circulate within the blender jug.

The maximum amount of ice cubes the blender can blend without liquid in the jug at any one time is 10 standard ice cubes or approx. 10 ounces (280g).

## AUTO CLEAN

Use to remove most of the ingredients off the blender walls and blades. Add 2 cups (16 ounces) warm soapy water and press the AUTO CLEAN button. For harder to clean, sticky or thick ingredients, add ½ teaspoon of dish soap for extra cleaning power. For best results, clean the blender jug immediately after use. The Auto Clean function only cleans the blender jug. It doesn't clean the juicer.

## FROZEN COCKTAIL

For creating ice-based cocktails and drinks like Margaritas, Daiquiris and Slushies. An ice crush program followed by a short blend.

## MANUAL OPERATION

### Speed Control Dial

### BLENDING

Turn the Speed Control Dial clockwise to select one of 10 speed settings from a slow STIR (Speed Setting 1) through to a very fast PULVERIZE (Speed Setting 10). The timer will start to count up, and blending will stop when it reaches '1:00'.

Blending can be paused by pressing pause button. Press pause button again to cancel, or turn dial to resume blending from Speed 1.

To stop blending, turn the Speed Control Dial counterclockwise back to READY or press ON|OFF button.

### COMPATIBLE WITH THE VAC Q™

The 3X Bluiicer Pro is compatible with the Vac Q vacuum pump. The Vac Q improves texture, colors and flavors for some of your blended mixes. For certain recipes flavors will be greatly enhanced providing smoother green smoothies, creamier spreads, delicate dips and silkier gazpacho soup. For milk based shakes, it's the air that's whipped through and trapped into the shake that gives that light and bubbly texture. The Vac Q is sold separately.

## JUICING

Wash your selection of fruit and vegetables to be juiced. Most fruit and vegetables such as apples, carrots and cucumbers will not need to be cut or trimmed to size as these will fit whole into the feed chute. Ensure vegetables such as beets, carrots etc. have all soil removed, are washed well and trimmed of leaves before using.

1. Plug the power cord into your 120V power outlet.



### IMPORTANT

Do not load feed chute with produce before the Juicer has reached the selected speed.

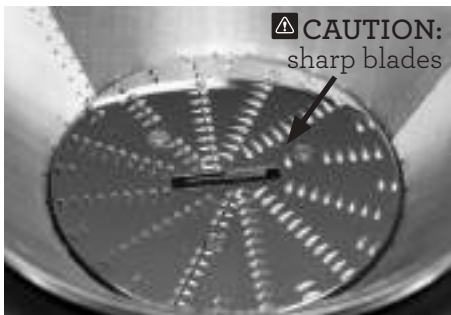
### Turning the Juicer On

2. Turn dial to desired speed setting. Use lower numbers (1-5) for soft fruits and vegetables and higher numbers (6-10) for hard fruits and vegetables. See Speed Selector Guide table on the next page to match speed and produce type for maximum yield. "Low" range, while it may not maximize yield of some produce, allows you to extract juice at a significantly lower noise level.
3. With the motor running, place food into the feed chute and use the food pusher to gently guide food down. To extract the maximum amount of juice, always push the food pusher down slowly.
4. Full Blender Jug  
You can keep juicing until the jug is filled to MAX. line.



## WARNING

Never use fingers, hands or utensils to push food down the feed chute or to clear the feed chute. Always use the food pusher provided.



The stainless steel filter basket contains small sharp blades to cut and process fruit and vegetables. Avoid touching the blades when handling the filter basket.

## SPEED SELECTOR GUIDE

FOOD TYPE	SPEED
APPLES	10
BABY SPINACH	9
BETROOT	10
BLUEBERRIES	5
BROCCOLI	7
CABBAGE	9
BELL PEPPER	9
CARROT	10
CELERY	4
CITRUS FRUITS (peeled)	1
CUCUMBER	4
GINGER	8
GRAPES (seedless)	2
HONEYDEW MELON (peeled)	3
KALE	9
KIWI (peeled)	5
MANGO (peeled, pit removed)	5
MINT	9
PEACH (pit removed)	5
PEARS	6
PINEAPPLE (peeled)	7
RHUBARB	8
SQUASH	9
STRAWBERRIES	4
TOMATOES	4
WATERMELON (peeled)	3
ZUCCHINI	6



## Care & Cleaning

Ensure the motor base is turned off by pressing the ON | OFF button. Then unplug the power cord.

### PULP CONTAINER

To minimize cleaning, you can line the pulp container with a biodegradable bag to collect the pulp.

### MOTOR BASE

Wipe down with a soft damp cloth. Do not immerse the motor base in liquids.

### CLEANING

1. Remove Blender Jug.
2. Disengage Locking Bar, pull up entire Juice Collector Assembly and take to sink.
3. Remove Pulp Container.

Empty as much pulp as possible into bin/compost. Rinse all parts after use (except the motor base) under running water to clear away the majority of juice and pulp. Wash in warm soapy water with a soft cloth.

To avoid food drying on to the blades, mesh or transparent parts, rinse and wash as soon as possible after use.

### JUG AND LID

In order to keep your jug clean and avoid food drying on the blades and jug, follow the below steps as soon as possible after use.

Rinse most of the ingredients off the jug and lid.

Fill the jug with 2 cups (16 ounces) of warm water, fit the lid and press the AUTO CLEAN button. If thick or sticky ingredients require extra cleaning power add 1/2 teaspoon dishsoap with 2 cups (16 ounces) of warm water.

Rinse the jug and lid again and/or wash separately in warm soapy water with a soft cloth or bottle brush.

It is most effective to clean the jug immediately after use.

### FILTER BASKET

To ensure consistent juicing results, always clean the filter basket thoroughly immediately after use, using the included brush.

If pulp is left to dry, it may clog the fine pores of the filter mesh, which can affect juicing performance. The filter basket can be soaked in hot soapy water for 10 minutes, if necessary.

### DISHWASHER

All parts except for the motor base and food pusher are dishwasher safe. The blender jug can be placed on the bottom shelf of the dishwasher while the lid and inner measuring cup should be washed on the top shelf only. However, washing parts on a regular basis in the dishwasher can shorten the life of them due to prolonged exposure to harsh detergents, hot water and pressure.

Cleaning the parts in the dishwasher also may cause parts to deteriorate so inspect the parts regularly and stop using the product if any signs of damage is noticed.

### CLEANING AGENTS

Do not use abrasive scouring pads or cleaners on either the motor base or the jug, as they may scratch the surface. Use only warm soapy water with a soft cloth.

### STUBBORN FOOD STAINS

Strong smelling foods such as garlic, fish and some vegetables such as carrots may leave an odor or stain on the blender jug and lid. To remove, soak blender jug and lid for 5 minutes in warm soapy water. Then wash with a mild detergent and warm water, rinse well and dry thoroughly. Store jug with the lid off.

## STORAGE

Store the appliance upright with the blender jug assembled on the motor base, or beside it. Do not place anything on top. To allow air to circulate, keep the lid off.



### WARNING


Oils in citrus rind can damage the material of your blender jug if exposed to it for a longer period. Always clean your blender jug immediately after processing citrus rind.



## Troubleshooting

---

**LCD screen turns on but appliance doesn't respond to controls.**

- The safety locking arm may not be correctly engaged in the vertical operating position. In this case, the LCD screen will show an animated prompt . Check the top cover is properly aligned and the locking arm is located firmly into the two grooves on either side of the juicer cover or blender jug.

---

**All control panel lights flash and Overload Protection displayed on LCD screen**

- This indicates motor overload protection is activated due to motor overheating or stalling.
- To reset the protector, unplug from the power supply, then plug back in and turn on.
- If Overload Protection is still displayed, unplug the appliance and leave to cool for at least 30 minutes, then try again. The appliance must be unplugged while cooling in order to reset properly.
- If the issue persists after allowing to cool, this indicates an internal problem. Please call Breville Customer Service or your nearest Authorized Breville Service Center.
- Note that triggering the overload protection indicates abnormal use of the appliance, such as too much load in the blender jug, excessive push force when juicing or extended continuous use. Please take note of the conditions and refer to all of the information in these instructions to avoid this occurrence and extend the life of the appliance.

---

### BLENDING

---

**Food is unevenly chopped**

- This can happen when too much food is being added at one time. Try a smaller amount, and work in batches if necessary.

---

**Food is chopped too fine or is watery**

- Try blending for shorter period of time. Use the PULSE function for better control.



## JUICING

---

### **Excess pulp building up in the stainless-steel filter basket**

- Turn the appliance off. Disassemble to scoop excess pulp off the juicer cover.
  - Reassemble and continue juicing. Alternating soft and hard ingredients may help avoid this.
- 

### **Pulp too wet and reduced extracted juice**

- The cleaner the filter, the better the juice yield, and dryer the pulp. Be sure to thoroughly clean the juicer as soon as possible after each use. Remove the stainless-steel filter basket and thoroughly clean mesh walls with a cleaning brush. Rinse the filter basket under hot water. If the fine mesh holes are blocked, soak the basket in a solution of hot water with 10% lemon juice to unblock the holes or wash in the dishwasher (top shelf). This will remove excess fiber build up which could be inhibiting the flow.
  - Pusher force could reduce yield because it slows the motor down. Avoid putting pressure on the food pusher when pushing ingredients down the feed chute.
  - If juicing large amounts of fibrous ingredients like rhubarb and pineapple, cleaning the filter basket in between might be required.
- 

### **Juice leaks between the filter bowl surround and the juicer cover**

- Try a slower juicing speed and push the food pusher down the feed chute more slowly.
  - Ensure there is no build up in the filter basket.
- 

### **Juice sprays out from spout**

- The juice is being extracted too fast; try a slower juicing speed (if possible) and push the food pusher down the feed chute more slowly.
- 

### **Motor appears to stall during juicing**

- Wet pulp can build up under the juicer cover and stall the appliance if the appliance is used excessively without cleaning. If this occurs, disassemble and follow the cleaning instructions to clean the filter bowl surround, the stainless-steel filter basket and the juicer cover.
  - The appliance can also stall if excessive force is used to push produce down the feed chute. If this occurs, ensure that a gentler pressure is used to push produce down the chute.
  - Turn on the appliance before putting ingredients in the chute. Pressing ingredients down before the motor reaches full speed can cause it to stall or overload.
  - Hard fruit and vegetables will put excess strain onto the motor if a low speed is selected. Refer to the reference guide to determine the correct speed for the fruit and vegetables selected for juicing.
-



Notes

*the 3X Bluicer® Pro*



FR-CA MANUEL D'INSTRUCTIONS

**Breville®**



## Table des matières

- 2 Breville vous recommande  
la sécurité avant tout
- 7 Composants
- 8 Assemblage
- 11 Fonctions
- 14 Entretien et nettoyage
- 16 Guide de dépannage

# BREVILLE VOUS RECOMMANDE LA SÉCURITÉ AVANT TOUT

Chez Breville, la sécurité occupe une place de choix. Nous concevons et fabriquons des produits de consommation sans jamais perdre de vue la sécurité de notre précieuse clientèle. De plus, nous vous demandons d'être très vigilant lorsque vous utilisez un appareil électrique et de respecter les mesures de sécurité qui suivent.

# IMPORTANTES MESURES DE SÉCURITÉ



## LIRE TOUTES LES INSTRUCTIONS AVANT USAGE ET LES SAUVEGARDER POUR RÉFÉRENCE FUTURE

- Avant la première utilisation, assurez-vous que votre alimentation électrique est identique à celle indiquée sur l'étiquette située sous l'appareil. Cet appareil est équipé d'un cordon d'alimentation avec fil et fiche reliés à la terre. En cas de panne électrique, la mise à la terre réduit le risque de décharge électrique.
- Ne jamais, en aucun cas, couper ou retirer la troisième broche (mise à la terre) du cordon d'alimentation et ne pas utiliser d'adaptateur.
- Consultez un électricien qualifié si les instructions de mise à la terre ne sont pas parfaitement comprises ou si un doute persiste quant à la mise à la terre adéquate de l'appareil.

- L'installation d'un interrupteur de sécurité à courant résiduel est recommandée pour assurer une sécurité supplémentaire lors de l'utilisation d'appareils électriques. Il est recommandé d'installer un interrupteur de sécurité à fonctionnement nominal n'excédant pas 30 mA. Consultez votre électricien pour des conseils professionnels.
- Avant d'utiliser l'appareil, retirez et jetez en lieu sûr tout le matériel d'emballage.
- Pour éliminer les risques chez les jeunes enfants, jetez en lieu sûr l'enveloppe protectrice recouvrant la fiche de sécurité.
- Avant d'utiliser l'appareil, assurez-vous de bien l'avoir assemblé selon les instructions. Si l'appareil est mal assemblé, cela peut entraîner un dysfonctionnement, des dommages matériels, des blessures ou des risques pour la sécurité.
- Cet appareil est destiné à un usage domestique seulement. Ne l'utilisez pas à d'autres fins que celles prévues. Ne l'utilisez pas dans un véhicule ou un bateau en mouvement ni à l'extérieur. Une mauvaise utilisation peut causer des blessures.
- Placez l'appareil sur une surface stable, plane et sèche, résistant à la chaleur et à distance du bord du comptoir. Ne faites pas fonctionner l'appareil sur ou près d'une source de chaleur telle qu'une plaque chauffante, un four ou une table de cuisson à gaz.
- Déroulez complètement le cordon avant utilisation.
- Ne laissez pas le cordon d'alimentation pendre d'un comptoir ou d'une table, toucher des surfaces chaudes ou se nouer.
- Ne laissez pas l'appareil sans surveillance en cours d'utilisation.
- Si l'appareil doit être laissé sans surveillance, nettoyé, déplacé, assemblé ou rangé, éteignez-le toujours en appuyant sur la touche MARCHE | ARRÊT. Débranchez-le de la prise de courant. Pour ce faire, saisissez la fiche et retirez-la. Ne tirez jamais sur le cordon.
- Éteignez l'appareil et débranchez-le de la prise de courant lorsqu'il n'est pas utilisé, avant d'assembler ou de démonter des pièces et avant de le nettoyer. Pour le débrancher, saisissez la fiche et retirez-la. Ne tirez jamais sur le cordon.

- Inspectez régulièrement le cordon d'alimentation, la fiche et l'appareil pour vous assurer qu'ils ne sont pas endommagés. En cas de dommage quelconque, cessez immédiatement d'utiliser l'appareil et retournez-le au complet à un centre de service Breville agréé le plus proche pour examen, remplacement ou réparation.
- Gardez l'appareil et ses accessoires propres. Suivez les instructions de nettoyage fournies dans ce manuel. Toute procédure non répertoriée dans ce manuel doit être effectuée dans un centre de service Breville agréé.
- Cet appareil n'est pas destiné à être utilisé par des enfants ou des personnes ayant des capacités physiques, sensorielles ou mentales réduites ou manque d'expérience et de connaissances. Une surveillance étroite est nécessaire lorsque l'appareil est utilisé à proximité d'enfants. Les enfants doivent être surveillés pour s'assurer qu'ils ne jouent pas avec l'appareil.
- Les enfants ne doivent pas jouer avec l'appareil.
- Le nettoyage de l'appareil ne doit pas être effectué par des enfants.
- Le cordon d'alimentation de l'appareil ainsi que tous les composants ou accessoires doivent être tenus hors de portée des enfants de 8 ans ou moins.
- N'utilisez jamais d'accessoires non fournis avec ce produit ou non autorisés par Breville. Le défaut de respecter ces instructions peut provoquer un dysfonctionnement ou endommager l'appareil, causer un risque de feu, d'électrocution ou de blessure.
- Ne tentez pas de faire fonctionner l'appareil avec des méthodes autres que celles décrites dans ce manuel.
- Ne déplacez pas l'appareil en cours de fonctionnement.
- N'utilisez pas l'appareil sur une surface inclinée.
- Le voyant clignotant indique que l'appareil est prêt à être utilisé. Évitez tout contact avec les lames ou les pièces mobiles.
- Ne mettez pas vos doigts ou d'autres objets dans l'ouverture de l'extracteur pendant son fonctionnement. Si des aliments se logent dans l'ouverture, utilisez le poussoir fourni

ou un autre fruit ou légume pour les enfoncer. Lorsque cette méthode n'est pas possible, éteignez le moteur et démontez l'appareil pour retirer les restes d'aliments.

- N'extrayez pas le jus de fruits à noyau comme les pêches, les prunes ou les cerises sans les avoir dénoyautées au préalable.
- Assurez-vous que l'appareil est éteint, que le panier filtre en acier inoxydable a cessé de tourner et que le moteur s'est complètement immobilisé avant de relâcher le bras de verrouillage de sécurité et/ou de tenter de déplacer l'appareil, s'il n'est pas utilisé et avant de le démonter, le nettoyer et le ranger.
- Tout déversement important sur les surfaces inférieures et latérales de l'appareil, ou sur l'appareil lui-même doit être nettoyé et séché avant de continuer à utiliser l'appareil.
- Soyez prudent lorsque vous manipulez le panier filtre, car les petites lames situées sur la base sont très coupantes. Une mauvaise manipulation peut causer des blessures.
- Les lames du mélangeur sont tranchantes. Faites attention lorsque vous manipulez, videz et nettoyez le récipient.

- Retirez l'écorce des agrumes avant d'en extraire le jus.
- N'utilisez pas l'appareil si le panier filtre ou le couvercle sont endommagés.
- Assurez-vous que le couvercle de l'extracteur est bien enclenché avant d'allumer l'appareil.
- Ne faites pas fonctionner l'appareil sans le contenant à pulpe en place.
- Ne desserrez pas le bras de verrouillage lorsque l'unité est en marche.
- N'extrayez pas plus de 3 kg (6,5 lb) de carottes à la fois.
- Évitez de mettre le récipient du mélangeur sur le socle motorisé pendant que le moteur tourne encore.
- N'utilisez pas l'appareil si le récipient est vide.
- Ne tentez jamais de faire fonctionner l'appareil si les lames sont endommagées ou si des ustensiles ou autres objets sont à l'intérieur du récipient.
- Pour réduire le risque de blessures graves ou dommages au mélangeur, gardez les mains et les ustensiles à l'écart du récipient lors du mélange. Une spatule peut être utilisée, mais uniquement lorsque l'appareil est éteint.

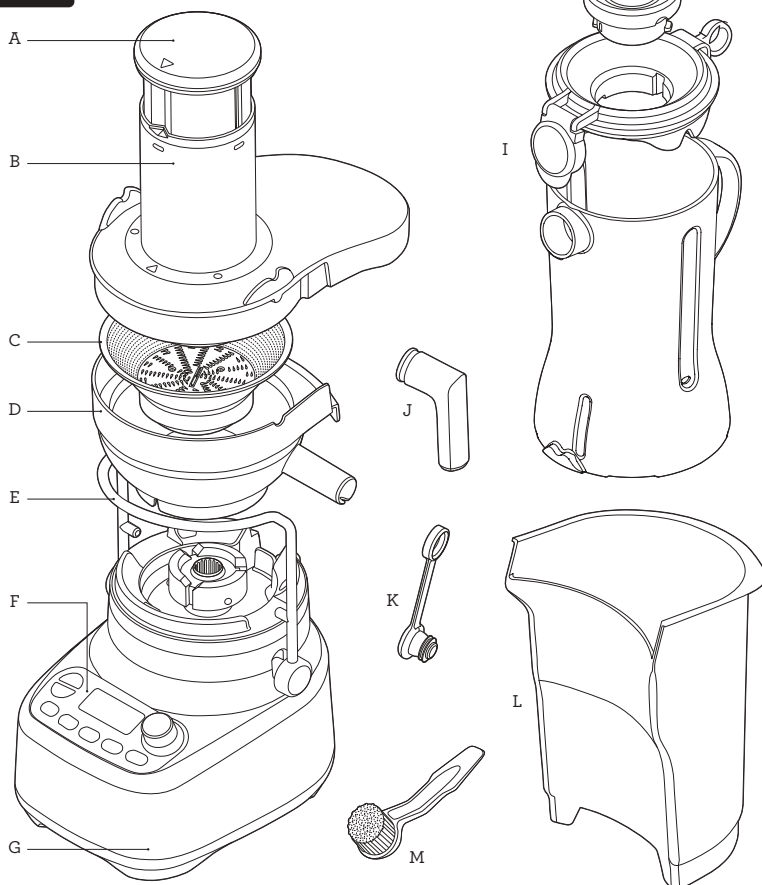
- N'exposez pas le récipient à des températures extrêmes, par exemple en le plaçant dans de l'eau chaude quand il est froid, ou vice versa.
- Le couvercle doit être solidement fixé au récipient avant utilisation pour éviter que le contenu interne ne s'échappe, ne s'éclabousse ou ne déborde.
- Ne retirez pas le récipient du socle motorisé pendant que le mélangeur est en marche.
- N'utilisez pas le mélangeur si le message OVERLOAD PROTECTION (Protection contre la surcharge) clignote sur l'écran ACL. Si cela se produit, débranchez l'appareil et attendez 30 minutes, le temps que le moteur refroidisse. Une fois refroidi, vous pourrez utiliser le mélangeur comme d'habitude.
- Ne traitez pas de liquide chaud ou bouillant. Laissez-le refroidir avant de le verser dans le récipient.
- Pour vous protéger contre les décharges électriques, ne plongez pas la fiche d'alimentation, le cordon ou l'appareil dans l'eau ou tout autre liquide.
- Pour trouver un centre de service Breville agréé, visitez notre site [www.Breville.com](http://www.Breville.com)
- La puissance nominale de l'appareil est basée sur l'accessoire qui tire le maximum de puissance. D'autres accessoires peuvent consommer beaucoup moins d'énergie.

**USAGE DOMESTIQUE SEULEMENT  
SAUVEGARDER CES INSTRUCTIONS**





## Composants



- A. Poussoir (ne va pas au lave-vaisselle)
- B. Couvercle de l'extracteur (va au lave-vaisselle)
- C. Panier filtre en acier inoxydable (va au lave-vaisselle)
- D. Bol du panier filtre (va au lave-vaisselle)
- E. Bras de verrouillage de sécurité  
Le moteur s'arrête si le bras de verrouillage n'est pas bien enclenché.
- F. Panneau de commande
- G. Socle motorisé en acier inoxydable
- H. Bouchon-mesure (va au lave-vaisselle)
- I. Récipient de 1,5 L (50 oz) et couvercle (vont au lave-vaisselle)
- J. Buse d'extraction (va au lave-vaisselle)  
Peut être placée sur le bec verseur pour extraire directement dans une tasse.
- K. Bouchon antigoutte
- L. Contenant à pulpe (va au lave-vaisselle)
- M. Brosse de nettoyage  
À utiliser pour nettoyer le panier filtre.

### Informations énergétiques

120 V~ 60 Hz 1000 W



## Assemblage

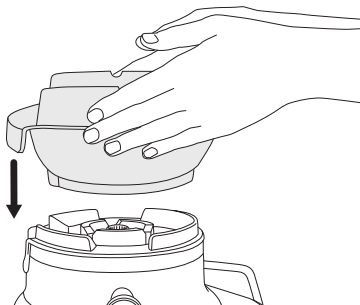
### AVANT LA PREMIÈRE UTILISATION

Lavez le couvercle, le bouchon-mesure interne, le récipient, le couvercle de l'extracteur, le poussoir et le contenant à l'eau chaude savonneuse avec un chiffon doux. Rincez et séchez soigneusement.

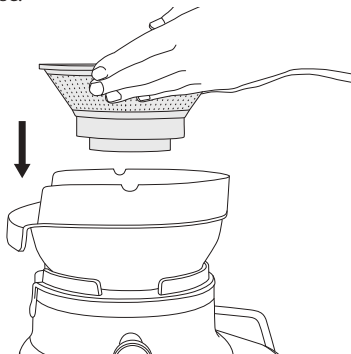
Placez le socle motorisé sur une surface plane et sèche telle qu'un comptoir. Assurez-vous que l'appareil est éteint (bouton MARCHÉ/ARRÊT du panneau de commande) et que le cordon d'alimentation est débranché.

### EXTRAIRE LE JUS

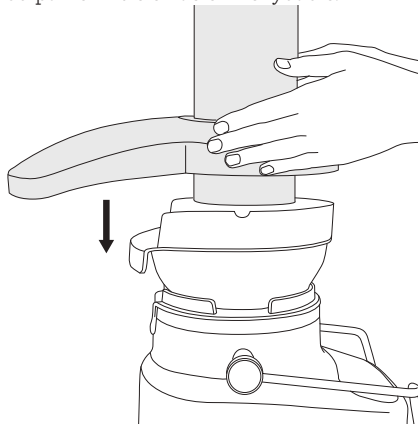
1. Placez le bol du panier filtre sur le dessus du socle motorisé.



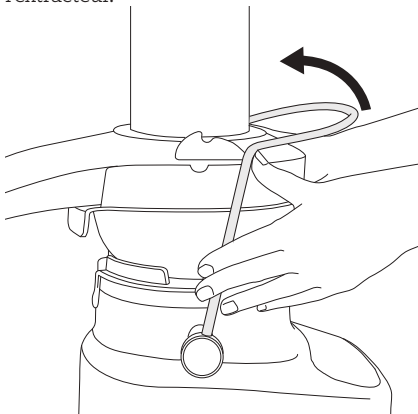
2. Alignez les flèches sur la base du panier filtre en acier inoxydable avec les flèches sur le couplage d'entraînement du moteur et appuyez jusqu'à ce que le panier filtre s'enclenche et soit bien fixé sur le socle motorisé.



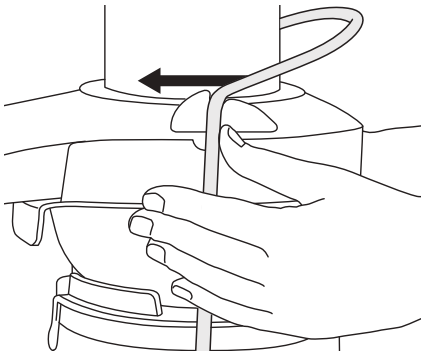
3. Placez le couvercle de l'extracteur sur le bol du panier filtre, en positionnant la partie inférieure du tube d'alimentation au-dessus du panier filtre en acier inoxydable.



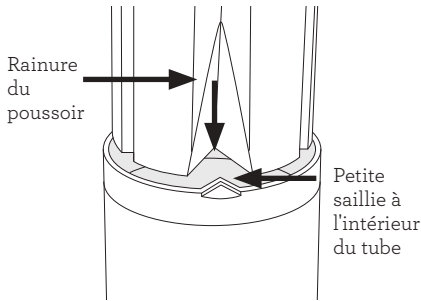
4. Soulevez le bras de verrouillage de sécurité et placez-le dans les deux rainures situées de part et d'autre du couvercle de l'extracteur.



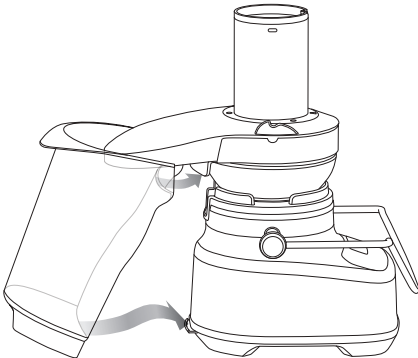
5. Le bras de verrouillage de sécurité devrait maintenant être en position verticale et bien verrouillé sur le couvercle de l'extracteur.



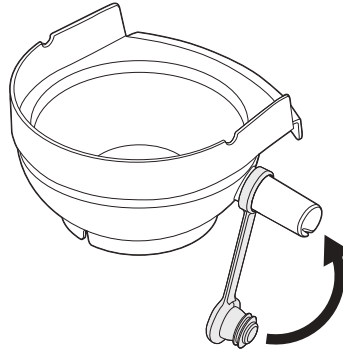
6. Faites glisser le poussoir dans le tube en alignant la rainure du poussoir avec la petite saillie située à l'intérieur du haut du tube d'alimentation.



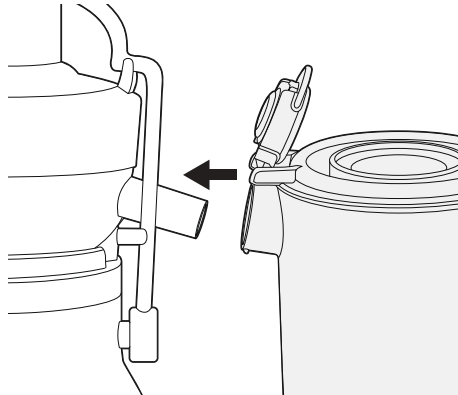
7. Placez le contenant à pulpe à sa place en inclinant et en soulevant légèrement le socle motorisé. Insérez-le sous le couvercle de l'extracteur en veillant à ce que le bord avant soit rentré sous le bord arrière du bol du panier filtre et que le côté inférieur soit cliqué dans le bas du socle motorisé.



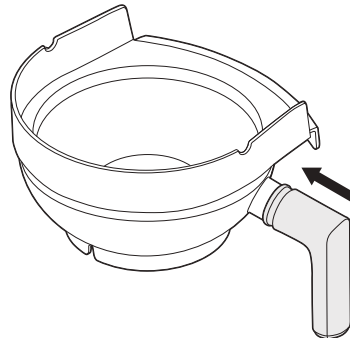
8. Le bouchon antigoutte peut être relevé sur le bec verseur de l'extracteur pour lui permettre de boucher le bec verseur et éviter l'égouttage après l'extraction du jus.



9. Installez le couvercle sur le récipient du mélangeur et placez-le sous le bec verseur.

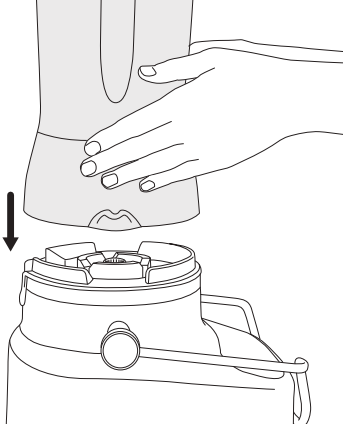


10. Facultatif : Pour extraire le jus dans un verre, placez la buse d'extraction sur le bec verseur.

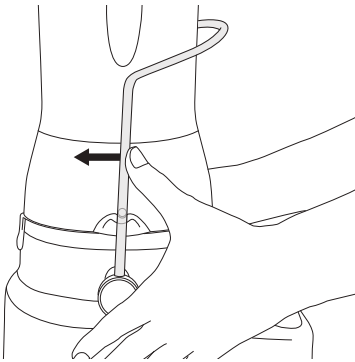


## MÉLANGER

1. Placez le récipient en position verticale sur le socle motorisé. La poignée du mélangeur peut être placée du côté gauche ou du côté droit de l'appareil.

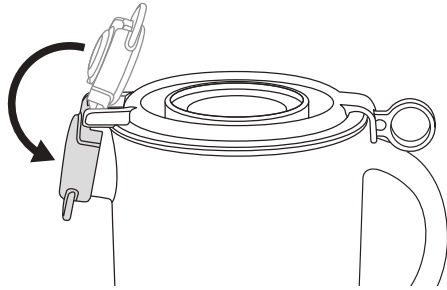


2. Soulevez le bras de verrouillage de sécurité et placez-le dans les deux rainures situées de part et d'autre du couvercle du mélangeur.



3. Ajoutez des aliments ou du liquide dans le récipient du mélangeur en veillant à ne pas dépasser la ligne «MAX». Placez le couvercle du mélangeur fermement en place sur le dessus de l'appareil. Insérez le bouchon-mesure transparent dans le couvercle et tournez-le en sens horaire pour le verrouiller. Le récipient est muni d'un couvercle Assist™ de Breville®, conçu pour s'adapter étroitement au récipient en évitant de se déplacer pendant le fonctionnement.

4. Assurez-vous que le bouchon-mesure du couvercle du mélangeur est bien enclenché et fermé. Le design avec anneau permet à l'utilisateur de retirer facilement le couvercle avec un simple effet de levier.



Une fois que l'appareil sera assemblé selon la configuration d'un mélangeur ou d'un extracteur de jus, branchez le cordon d'alimentation dans une prise de courant de 120 V.

Allumez l'appareil en appuyant sur le bouton MARCHE | ARRÊT. Le contour du bouton s'allumera et l'écran ACL s'illuminera et affichera '0:00'.



## Fonctions



### GUIDE DE DÉMARRAGE

Le bouton **MARCHE | ARRÊT** met l'appareil en mode **PRÊT** (le voyant rouge clignote).

### PROGRAMMES PRÉRÉGLÉS

#### MÉLANGER

L'appareil dispose de 5 fonctions prédéfinies : **SMOOTHIE VERT**, **SMOOTHIE**, **PULSER/GLACE BROUYÉE**, **AUTONETTOYAGE** et **COCKTAIL GLACÉ**. Ces cycles préprogrammés ajustent automatiquement le temps et les vitesses de mélange pour optimiser les résultats. Ces programmes ne sont activés que lorsque votre appareil est en mode de mélange. Ils ne peuvent pas être utilisés lorsque votre appareil est configuré en mode d'extraction.

Sélectionnez la fonction souhaitée en appuyant sur la touche correspondante. L'appareil commencera à fonctionner et la touche de fonction sélectionnée s'allumera. La minuterie commencera le compte à rebours et le programme se terminera automatiquement quand il atteindra '0:00'. Le programme et la minuterie peuvent être mis en pause en appuyant sur le bouton **PAUSE**. Reprenez en appuyant de nouveau sur la touche de fonction ou annulez en appuyant de nouveau sur **PAUSE**.

Le programme peut également être annulé à tout moment en appuyant sur la touche **MARCHE | ARRÊT**. En tournant le sélecteur de vitesse, vous interrompez le programme et placez le mélangeur en mode manuel à partir de la vitesse 1.

#### SMOOTHIE VERT

Ce programme est conçu pour mélanger des fruits et légumes entiers et les transformer en boisson lisse. Une combinaison de profils à haute vitesse décompose les fibres coriaces en particules très fines.

#### SMOOTHIE

Pour les smoothies à base de produits laitiers, une combinaison de vitesses et de pulsations a été conçue pour mélanger et aérer les ingrédients en une texture lisse et crémeuse.

#### PULSER / GLACE BROUYÉE

Ce programme à pulsations continues est conçu pour hacher les aliments en une consistance uniforme ou pour écraser les glaçons. Utilisez la touche **PULSER** lorsque les aliments en cours de traitement sont trop épais ou grossiers pour circuler dans le récipient.

La quantité maximale de glaçons que le mélangeur peut traiter à la fois sans liquide est de 10 glaçons standard (environ 280 g /10 oz).

## AUTONETTOYAGE

Utilisez cette fonction pour dégager les ingrédients des parois et des lames du mélangeur. Ajoutez 2 tasses (16 oz/450 ml) d'eau chaude savonneuse et appuyez sur la touche AUTONETTOYAGE. Pour déloger les ingrédients tenaces ou consistants et pour accroître le pouvoir nettoyant, ajoutez ½ cuillerée à thé de savon à vaisselle. Pour de meilleurs résultats, nettoyez le récipient du mélangeur immédiatement après utilisation. La fonction d'autonettoyage nettoie uniquement le récipient du mélangeur et non l'extracteur de jus.

## COCTAIL GLACÉ

Ce programme sert à préparer des cocktails à base de glaçons et des boissons telles que margaritas, daiquiris et barbotines. Bref, une fonction de glace broyée suivie d'un court mélange.

## FONCTIONNEMENT MANUEL

### Sélecteur de vitesse

### MÉLANGER

Tournez le sélecteur de vitesse dans le sens horaire pour sélectionner l'un des 10 réglages, allant de STIR (Remuer - vitesse 1) à PULVERIZE (Pulvériser - vitesse 10, la plus rapide). La minuterie commencera le compte progressif et le mélangeur s'arrêtera lorsque l'écran affichera '1:00'.

Vous pouvez interrompre le mélange en appuyant sur le bouton PAUSE. Appuyez à nouveau sur le même bouton pour l'annuler ou tournez le sélecteur de vitesse pour reprendre le mélange à partir de la vitesse 1. Pour arrêter le mélange, tournez le sélecteur de vitesse en sens antihoraire jusqu'à READY (Prêt) ou appuyez sur le bouton MARCHE|ARRÊT.

### COMPATIBLE AVEC the VAC Q™

Le 3X Bluicer Pro est compatible avec la pompe à vide the Vac Q. Le Vac Q améliore la texture, les couleurs et les

saveurs de certains de vos mélanges.

Pour certaines recettes, les saveurs seront considérablement améliorées : smoothies verts plus lisses, tartinades crémeuses, trempettes onctueuses ou gaspacho veloutée. Pour les laits frappés, l'air fouetté emprisonné dans le mélange procure une texture légère et pétillante. La pompe the Vac Q est vendue séparément.

## EXTRAIRE LE JUS

Lavez vos fruits et légumes. La plupart des fruits et légumes comme les pommes, les carottes et les concombres, n'ont pas besoin d'être parés ou coupés en morceaux, car ils s'insèrent tout entiers dans le tube d'alimentation. Les légumes comme les betteraves, les carottes, etc. devront avoir été débarrassés de tout résidu de terre, bien lavés et parés de leurs feuilles avant d'être traités.

1. Branchez le cordon d'alimentation dans une prise de courant de 120 V.



### IMPORTANT

N'insérez aucun produit dans le tube d'alimentation avant que l'extracteur de jus n'ait atteint la vitesse sélectionnée.

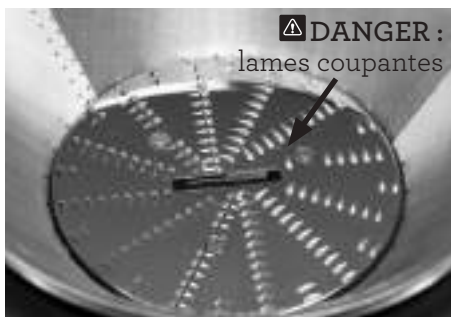
### Faire démarrer l'extracteur

2. Tournez le sélecteur à la vitesse désirée. Utilisez les nombres inférieurs (1-5) pour les fruits et légumes tendres, et les nombres supérieurs (6-10) pour les fruits et légumes plus coriaces. Pour un rendement optimal, consultez le tableau de sélection de vitesse à la page suivante illustrant le type d'aliment et la vitesse correspondante. Les basses vitesses minimisent considérablement le bruit lors de l'extraction.
3. Pendant que le moteur tourne, insérez les aliments dans le tube d'alimentation et utilisez le poussoir pour les acheminer délicatement vers le bas.
4. Récipient rempli  
Vous pouvez remplir le récipient jusqu'à la marque MAX.



## AVERTISSEMENT

N'utilisez jamais vos doigts, vos mains ou des ustensiles pour pousser les aliments dans le tube d'alimentation ou pour les retirer. Utilisez toujours le poussoir fourni.



Le panier filtre en acier inoxydable est muni de petites lames très acérées qui coupent et traitent les aliments. Évitez d'y toucher lorsque vous manipulez le panier filtre.

## GUIDE DE SÉLECTION DE VITESSE

TYPE D'ALIMENT	VITESSE
AGRUMES (pelés)	1
ANANAS (pelé)	7
BETTERAVE	10
BLEUETS	5
BROCOLI	7
CAROTTE	10
CÉLERI	4
CHOU	9
CHOU KALE	9
CONCOMBRE	4
COURGE	9
ÉPINARDS (jeunes pousses)	9
FRAISES	4
GINGEMBRE	8
KIWI (pelé)	5
MANGUE (pelée, dénoyautée)	5
MELON D'EAU (pelé)	3
MELON DE MIEL (pelé)	3
MENTHE	9
PÊCHE (dénoyautée)	5
POIRE	6
POIVRON	9
POMME	10
RAISINS (sans pépins)	2
RHUBARBE	8
TOMATE	4
ZUCCHINI	6



## Entretien et nettoyage

Veillez à ce que l'appareil soit éteint en appuyant sur le bouton MARCHE | ARRÊT, puis débranchez-le.

### CONTENANT À PULPE

Pour minimiser le nettoyage, vous pouvez chemiser le contenant à pulpe d'un sac biodégradable qui récoltera la pulpe.

### SOCLE MOTORISÉ

Essuyez le socle motorisé avec un chiffon doux et humide. Ne pas l'immerger dans un liquide.

### NETTOYAGE

1. Retirez le récipient du mélangeur.
2. Dégagez le bras de verrouillage, tirez l'assemblage du collecteur de jus vers le haut et mettez le tout dans l'évier.
3. Retirez le contenant à pulpe.

Jetez autant de pulpe que possible aux rebuts ou dans le bac à compost. Après utilisation, rincez toutes les pièces (sauf le socle motorisé) sous l'eau courante pour éliminer le plus de jus et de pulpe. Lavez-les à l'eau chaude savonneuse avec un chiffon doux.

Pour éviter que les aliments ne sèchent sur les lames, les mailles ou les pièces transparentes, rincez et lavez ces pièces le plus tôt possible après utilisation.

### RÉCIPIENT ET COUVERCLE

Afin de garder le récipient propre et d'éviter que les aliments ne sèchent sur les lames et dans le pichet, suivez les étapes suivantes dès que possible après utilisation.

Rincez le récipient et le couvercle pour enlever la majorité des ingrédients.

Remplissez le récipient avec 1 tasse (16 oz/450 ml) d'eau chaude, fixez le couvercle et appuyez sur la touche AUTONETTOYAGE. Si des ingrédients épais ou collants nécessitent un nettoyage supplémentaire, ajoutez ½ cuillerée à thé de savon à vaisselle et 2 tasses (16 oz/450 ml) d'eau chaude.

Rincez à nouveau le récipient et le couvercle ou lavez-les séparément dans de l'eau chaude savonneuse avec un chiffon doux et un goupillon.

Il est plus efficace de nettoyer le récipient immédiatement après utilisation.

### PANIER FILTRE

Pour assurer des résultats constants, nettoyez toujours le panier filtre immédiatement après utilisation en utilisant la brosse de nettoyage fournie.

S'il reste de la pulpe séchée dans le panier filtre, cela peut boucher les minuscules pores et affecter la performance de l'extracteur. Le panier filtre peut être trempé dans de l'eau chaude savonneuse pendant 10 minutes, si nécessaire.

### LAVE-VAISSELLE

Toutes les pièces vont au lave-vaisselle, à l'exception du socle motorisé. Le récipient peut être placé sur le plateau inférieur du lave-vaisselle, tandis que le couvercle et le bouchon-mesure interne doivent être placés uniquement sur le plateau supérieur. Cependant, le lavage régulier des pièces au lave-vaisselle peut en réduire la durée de vie en raison d'une exposition prolongée aux détergents puissants, à l'eau chaude et à la pression.

Le nettoyage des pièces au lave-vaisselle peut également entraîner leur détérioration. Inspectez-les régulièrement et cessez d'utiliser l'appareil si vous remarquez des dommages.



## AGENTS DE NETTOYAGE

N'utilisez pas de tampons à récurer ou de nettoyeurs abrasifs sur le socle motorisé ou le récipient, car ils en égratigneront la surface. Utilisez seulement de l'eau chaude savonneuse et un chiffon doux.

## TACHES TENACES

Des aliments à forte odeur comme l'ail, le poisson et certains légumes comme les carottes peuvent laisser une odeur ou tacher le récipient et le couvercle du mélangeur. Pour les éliminer, faites tremper le récipient et le couvercle dans de l'eau chaude savonneuse. Puis lavez-les avec un détergent doux et de l'eau chaude, rincez bien et séchez soigneusement. Rangez le récipient sans le couvercle.

## RANGEMENT

Rangez l'appareil en position verticale avec le récipient assemblé sur le socle motorisé ou à côté. Ne placez aucun objet sur le dessus. Pour permettre à l'air de circuler, ne mettez pas le couvercle.



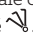
## AVERTISSEMENT

L'huile contenue dans l'écorce d'agrumes peut endommager le matériau du récipient s'il est exposé à cette matière pendant une période prolongée. Nettoyez toujours votre récipient immédiatement après avoir traité le zeste d'agrumes.



## Guide de dépannage

**L'écran ACL est allumé, mais l'appareil ne répond pas aux commandes**

- Le bras de verrouillage est peut-être mal enclenché à la position verticale de fonctionnement. Dans ce cas, l'écran ACL affichera un message animé . Vérifiez si le couvercle est correctement aligné et que le bras de verrouillage est fermement fixé dans les rainures latérales du couvercle de l'extracteur ou du récipient du mélangeur.

**Tous les voyants du panneau de commande clignotent et Overload Protection (protection contre la surcharge) est affichée sur l'écran ACL**

- Cela indique que la protection contre la surcharge du moteur est activée en raison d'une surchauffe ou d'un blocage du moteur.
- Pour réinitialiser le mécanisme de protection, débranchez l'appareil, puis rebranchez-le et faites-le démarrer.
- Si le message Overload Protection est toujours affiché, débranchez l'appareil et laissez-le refroidir au moins 30 minutes, puis réessayez. L'appareil doit être débranché pendant le refroidissement pour pouvoir réinitialiser correctement le mécanisme de protection.
- Si le problème persiste, cela indique un problème interne. Contactez l'équipe de soutien aux consommateurs de Breville ou le centre de service Breville agréé le plus proche.
- Notez que le déclenchement de la protection contre la surcharge indique une utilisation anormale de l'appareil, telle qu'une charge excessive dans le récipient du mélangeur, une force de poussée excessive lors de l'extraction ou une utilisation continue prolongée. Pour éviter un tel problème et prolonger la durée de vie de l'appareil, consultez les conditions d'utilisation et toutes les informations contenues dans ce manuel d'instructions.

### MÉLANGER

**Les aliments sont hachés inégalement**

- Cela peut se produire lorsque trop d'aliments sont traités à la fois. Essayez de mélanger de plus petites quantités à la fois et de travailler par portions, si nécessaire.

**Les aliments sont hachés trop finement ou sont aqueux**

- Essayez de réduire le temps de mélange. Pour un meilleur contrôle, utilisez la fonction PULSER.



## EXTRAIRE LE JUS

---

**Il y a accumulation de pulpe dans le panier filtre**

- Éteignez l'appareil et démontez-le pour retirer l'excès de pulpe du couvercle de l'extracteur.
  - Réassemblez l'appareil et poursuivez l'extraction. Pour aider à contrer ce problème, traitez les aliments mous et durs en alternance.
- 

**La pulpe est trop humide et le jus extrait est insuffisant**

- Plus le filtre est propre, meilleur est le rendement en jus et plus la pulpe est sèche. Assurez-vous de bien nettoyer l'extracteur dès que possible après chaque utilisation. Retirez le panier filtre en acier inoxydable et nettoyez soigneusement les fines mailles avec la brosse de nettoyage. Si les trous des mailles sont bouchés, faites tremper le panier dans une solution d'eau chaude contenant 10 % de jus de citron ou mettez le tout au lave-vaisselle (plateau supérieur). Cela permettra d'éliminer l'excès de fibres qui pourrait inhiber le débit.
  - La force de poussée peut réduire le rendement, car elle ralentit le moteur. Éviter de faire pression sur le poussoir lorsque vous poussez les ingrédients dans le tube d'alimentation.
  - Si vous extrayez le jus d'une grande quantité d'ingrédients fibreux comme la rhubarbe et l'ananas, il peut être nécessaire de nettoyer le panier filtre entre les deux.
- 

**Le jus fuit entre le bol du panier filtre et le couvercle de l'extracteur**

- Essayez de ralentir la vitesse d'extraction et poussez le poussoir plus lentement dans le tube d'alimentation.
  - Assurez-vous qu'il n'y a pas d'accumulation dans le panier filtre.
- 

**Le jus jaillit du bec verseur**

- Le jus est extrait trop rapidement. Essayez une vitesse d'extraction plus lente, si possible, et poussez plus lentement sur le poussoir.
- 

**Le moteur semble caler pendant l'extraction**

- De la pulpe humide peut s'accumuler sous le couvercle de l'extracteur et bloquer l'appareil si celui-ci est utilisé de manière excessive sans avoir été nettoyé. Si cela se produit, démontez l'appareil et suivez les instructions de nettoyage pour nettoyer le bol du panier filtre, le panier filtre en acier inoxydable et le couvercle de l'extracteur.
  - Le moteur peut également caler si une force excessive est utilisée pour pousser les aliments dans le tube d'alimentation. Si cela se produit, assurez-vous d'exercer une pression plus légère.
  - Allumez l'appareil avant d'insérer les ingrédients dans le tube. Le fait de pousser les aliments avant que le moteur n'atteigne sa vitesse maximale peut provoquer un blocage ou une surcharge.
  - Les fruits et légumes durs exercent une pression excessive sur le moteur si une vitesse lente est sélectionnée. Reportez-vous au tableau de référence pour déterminer la bonne vitesse pour les fruits et les légumes à traiter.
- 





Notes

*the 3X Bluicer® Pro*



ES-MX MANUAL DE INSTRUCCIONES

**Breville®**



## Contenido

- 2 Breville recomienda anteponer la seguridad
- 7 Componentes
- 8 Montaje
- 12 Funciones
- 15 Cuidado y limpieza
- 17 Solucionar problemas

## BREVILLE RECOMIENDA ANTEPONER LA SEGURIDAD

**En Breville somos muy conscientes de lo importante que es la seguridad. La seguridad es nuestra prioridad a la hora de diseñar y fabricar productos para clientes como usted. En este sentido, le pedimos ejercer suma precaución al usar cualquier aparato eléctrico y que cumpla con las siguientes precauciones.**

## CONSIDERA- CIONES IMPORTANTES

### ANTES DE USAR ESTE EQUIPO, LEA TODAS LAS INSTRUCCIONES Y GUÁRDELAS PARA FUTURAS CONSULTAS

- Asegúrese de que su suministro eléctrico sea el mismo que se muestra en la etiqueta en la parte inferior del equipo antes de usarlo por primera vez. Este equipo cuenta con un cable de alimentación compuesto por un cable de conexión a tierra y un enchufe de conexión a tierra. El aparato debe estar conectado a tierra utilizando una toma de corriente que disponga de una conexión a tierra apropiada. Si se produce una falla eléctrica, la conexión a tierra reduce el riesgo de una descarga eléctrica.
- Por ningún motivo corte o retire la tercera clavija (tierra) del cable de alimentación ni use un adaptador.
- Consulte a un electricista calificado si las instrucciones de conexión a tierra no se entienden por completo o si existen dudas sobre si el equipo está correctamente conectado a tierra.

- Se recomienda la instalación de un interruptor de seguridad de corriente residual para proporcionar seguridad adicional al usar equipos eléctricos. Se recomiendan interruptores de seguridad con una corriente de funcionamiento nominal de no más de 30 mA. Consulte a un electricista para obtener asesoramiento profesional.
- Retire y deseche cualquier material de empaque de forma segura antes del primer uso.
- Para eliminar el peligro de asfixia en niños pequeños, deseche de forma segura la cubierta protectora instalada en el enchufe de este equipo.
- Siempre asegúrese de que el aparato esté ensamblado tal como se indica en las instrucciones antes de usarlo. El uso del equipo sin estar ensamblado correctamente puede causar un funcionamiento inapropiado del producto, ocasionar daños al producto o constituir un riesgo de seguridad que podría derivar en lesiones personales.
- El equipo es para uso exclusivo en el hogar. No use este equipo para otro fin distinto al previsto. No use el equipo en vehículos o embarcaciones en movimiento. No use el equipo al aire libre. El mal uso puede causar lesiones.
- Coloque el equipo sobre una superficie estable, resistente al calor, nivelada y seca y lejos del borde de un mostrador. No haga funcionar el equipo sobre fuentes de calor como una placa caliente, horno o placa de gas, ni cerca de ellas.
- Antes de usar el equipo desenrolle el cable de alimentación por completo.
- No permita que el cable de alimentación cuelgue del borde de una mesa o mostrador. No permita que el cable de alimentación toque superficies calientes o se enrede.
- No deje el equipo sin supervisión mientras está en uso.
- Si el equipo se va a dejar desatendido, limpiar, mover, ensamblar o almacenar, siempre apáguelo presionando el botón ON | OFF (Encendido | Apagado) para dejarlo en la posición OFF (Apagado). Desenchufe el equipo de la toma de corriente. Para desenchufar el equipo, tome el enchufe y desconéctelo del tomacorriente. Nunca tire del cable de alimentación.
- Apague el equipo y desconéctelo del tomacorriente cuando no esté en uso, antes

de armar o desarmar las piezas, o antes de limpiarlo. Para desenchufar el equipo, tome el enchufe y desconéctelo del tomacorriente. Nunca tire del cable de alimentación.

- Inspeccione regularmente el cable de alimentación, el enchufe y el equipo en busca de daños. Si descubre que está dañado de alguna manera, deje de usar el equipo de inmediato y devuélvalo íntegramente al Centro de Servicios Breville autorizado más cercano para examinarlo, reemplazarlo o repararlo.
- Mantenga el equipo y los accesorios limpios. Siga las instrucciones de limpieza proporcionadas en este manual. Cualquier procedimiento que no se encuentre en este manual de instrucciones debe realizarse en un Centro de Servicios Breville autorizado.
- Este equipo no está diseñado para que lo usen niños o personas con capacidades físicas, sensoriales o mentales reducidas, o con falta de experiencia y conocimiento. Supervise atentamente el uso de cualquier equipo si hay niños cerca. Se debe supervisar a los niños para asegurarse de que no jueguen con el equipo.

- Los niños no deben jugar con el equipo.
- La limpieza del equipo no debe ser realizada por niños.
- El cable de alimentación del equipo, sus componentes y accesorios debe mantenerse fuera del alcance de los niños de edad inferior o igual a 8 años.
- Nunca use accesorios o partes que no se suministren con este producto o que Breville no haya autorizado para usar en este producto. El incumplimiento de estas instrucciones puede causar un mal funcionamiento del producto, daños al producto, incendio, descarga eléctrica o lesiones.
- No intente hacer funcionar el aparato usando cualquier otro método distinto al descrito en este folleto.
- No mueva el equipo mientras está en funcionamiento.
- No haga funcionar el equipo sobre una superficie inclinada.
- La luz intermitente indica que está listo para funcionar. Evite cualquier contacto con cuchillas o partes móviles.
- No coloque los dedos u otros objetos en la abertura del exprimidor mientras está en funcionamiento. Si la comida queda alojada en la apertura,



use el empujador de alimentos u otra pieza de fruta o verdura para empujarla hacia abajo. Cuando este método no sea posible, apague el motor y desarme el exprimidor para quitar la comida atascada.

- No exprima frutas con carozos en su interior, como el durazno, la ciruela o la cereza, a menos que los retire previamente.
- Asegúrese de que el producto esté apagado, que el filtro de acero inoxidable haya dejado de girar y que el motor se haya detenido por completo antes de liberar el brazo de bloqueo de seguridad o intentar mover el equipo, cuando el equipo no esté en uso, y antes de desmontar, limpiar y almacenar el equipo.
- Cualquier derrame significativo sobre la superficie debajo o alrededor del equipo, o sobre el mismo equipo, debe limpiarse y secarse antes de continuar su uso.
- Tenga cuidado al manipular el filtro de acero inoxidable, ya que las cuchillas pequeñas en la base del filtro son muy afiladas. El mal uso puede causar lesiones.
- Las cuchillas de la licuadora son afiladas. Tenga cuidado

al manipular, vaciar y limpiar la jarra de la licuadora.

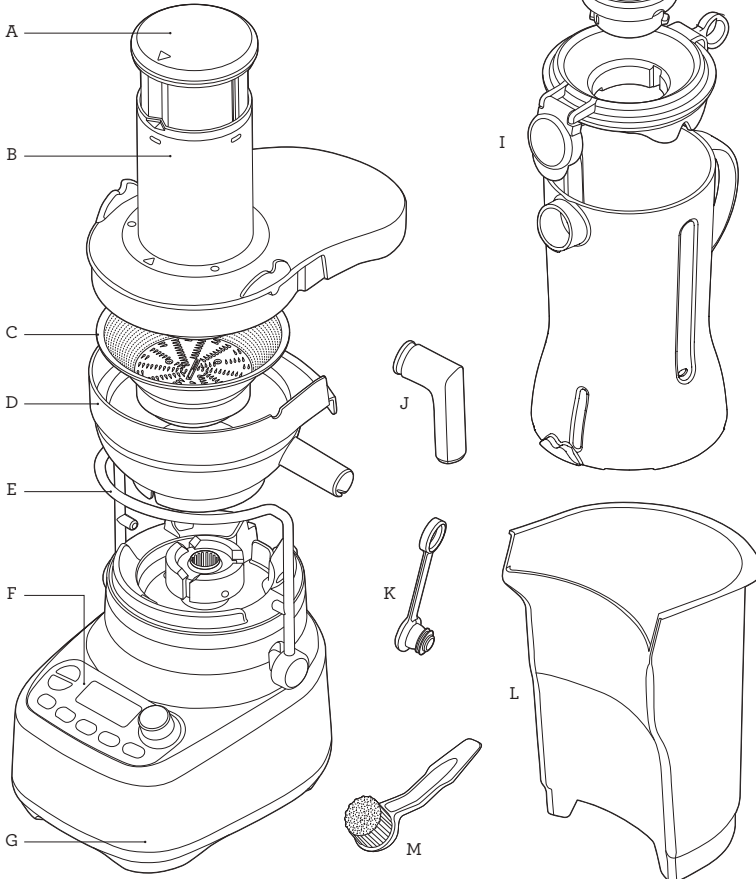
- Retire la cáscara de todos los cítricos antes de exprimirlos.
- No utilice el equipo si el filtro giratorio o la tapa están dañados.
- Asegúrese siempre de que la cubierta del exprimidor esté sujeta firmemente en su lugar antes de encender el motor.
- No utilice el equipo sin el contenedor de pulpa en su lugar.
- No libere el seguro de la barra de bloqueo de seguridad mientras el equipo está funcionando.
- No exprima más de 3 kilos de zanahoria a la vez.
- Evite colocar la jarra de la licuadora en la base del motor mientras el motor sigue girando.
- No haga funcionar el equipo si la jarra está vacía.
- Nunca intente hacer funcionar el equipo ni con cuchillas dañadas ni cuando haya utensilios u objetos extraños dentro de la jarra.
- Mantenga las manos y los utensilios fuera del recipiente mientras licúa para reducir el riesgo de lesiones graves a las personas o daños a la licuadora. Es posible usar un raspador, pero solo cuando el equipo está detenido.

- No ponga la jarra en condiciones extremas de calor o frío. Por ejemplo, no ponga la jarra fría en agua caliente, o viceversa.
- La tapa debe estar firmemente asegurada a la jarra antes de la operación para asegurar que el contenido interno no se escape, rocíe o se desborde.
- No retire la jarra de la base del motor mientras la licuadora esté en uso.
- No use la licuadora mientras el mensaje OVERLOAD PROTECTION (Protección de sobrecarga) parpadee en la pantalla LCD. Si esto ocurre, desconecte la licuadora y espere 30 minutos hasta que el motor se haya enfriado. Una vez que se enfríe podrá volver a usar la licuadora como de costumbre.
- No procese líquidos calientes ni hirviendo. Deje que los líquidos se enfríen antes de agregarlos a la jarra de la licuadora.
- Para protegerse contra descargas eléctricas, no sumerja ni el cable de alimentación, ni el enchufe ni el equipo en agua u otros líquidos.
- Los Centros de servicio autorizados de Breville se pueden consultar en nuestro sitio web, **[www.Breville.com](http://www.Breville.com)**
- La potencia nominal del equipo se basa en el accesorio con el mayor consumo energético. Otros accesorios pueden consumir una cantidad de energía significativamente menor.

**PARA USO EXCLUSIVO EN EL HOGAR.  
GUARDE ESTAS INSTRUCCIONES**



## Componentes



- A. Empujador de alimentos (no apto para lavavajillas)
- B. Cubierta del exprimidor (apta para lavavajillas)
- C. Filtro de acero inoxidable (apto para lavavajillas)
- D. Bol de recubrimiento del filtro (apto para lavavajillas)
- E. Enclavamiento de seguridad  
Detiene el funcionamiento de la base del motor si la cubierta no está fija en su lugar.
- F. Panel de control
- G. Base del motor de acero inoxidable
- H. Vaso medidor interno (apto para lavavajillas)
- I. Jarra mezcladora de 1.5 L y tapa (apta para lavavajillas)
- J. Boquilla para jugo (apta para lavavajillas)  
Se puede colocar sobre la boquilla para hacer jugo directamente en un vaso.
- K. Tapón antigoteo
- L. Contenedor de pulpa (apto para lavavajillas)
- M. Cepillo de limpieza  
Para limpiar el filtro de acero inoxidable.

### Datos técnicos

120 V~ 60 Hz 1 000 W



## Montaje

### TENGA EN CUENTA LO SIGUIENTE ANTES DEL PRIMER USO

Lave la tapa, el vaso medidor interno, la jarra, el bol del recipiente del filtro, el filtro, la cubierta del exprimidor, el empujador de alimentos y el contenedor de pulpa con agua tibia y jabón con un paño suave. Enjuague y seque completamente.

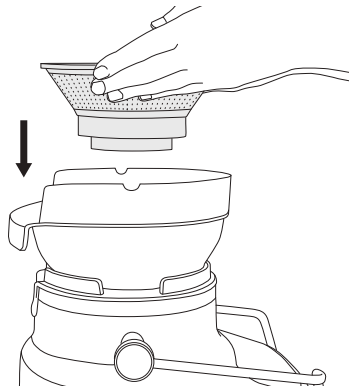
Coloque la base del motor sobre una superficie plana y seca, como una encimera. Asegúrese de haber apagado el equipo con el interruptor y que la base del motor y el cable de alimentación estén desconectados.

### EXTRACCIÓN DE JUGO

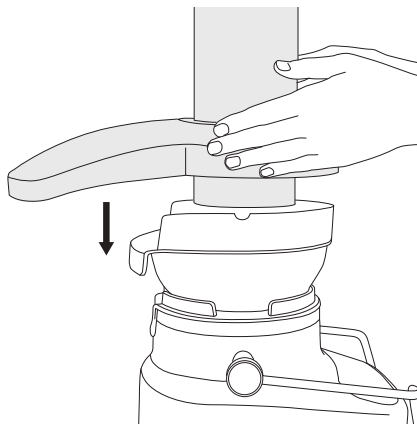
1. Coloque el bol de recubrimiento del filtro en la parte superior de la base del motor.



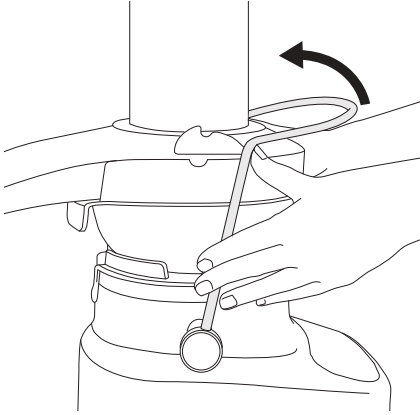
2. Alinee las flechas en la base del filtro de acero inoxidable con las flechas en el acople del motor y empuje hacia abajo hasta que encaje en su lugar para crear un ajuste seguro con la base del motor.



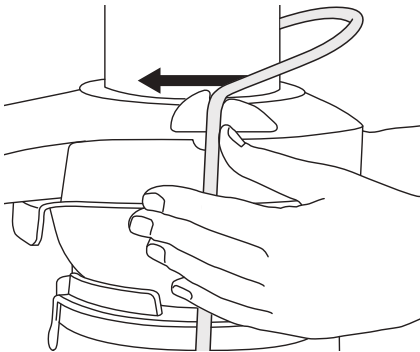
3. Coloque la cubierta del exprimidor sobre el bol de recubrimiento del filtro, para que la parte inferior del tubo para alimentos quede sobre el bol de recubrimiento del filtro de acero inoxidable.



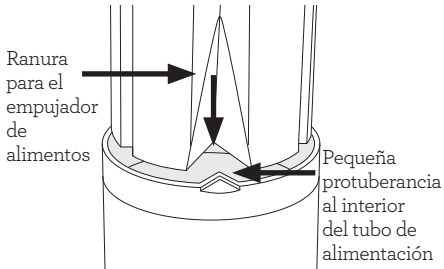
4. Levante el brazo de bloqueo de seguridad y ubíquelo en las dos ranuras a cada lado de la cubierta del exprimidor.



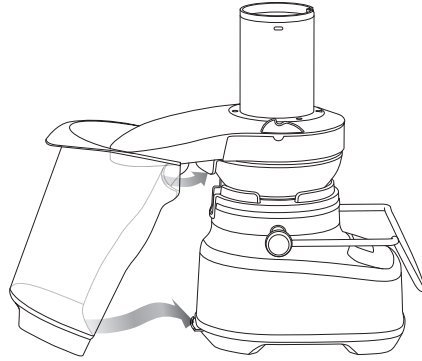
5. El brazo de bloqueo de seguridad ahora debería estar en posición vertical y asegurado en su lugar en la parte superior de la cubierta del exprimidor.



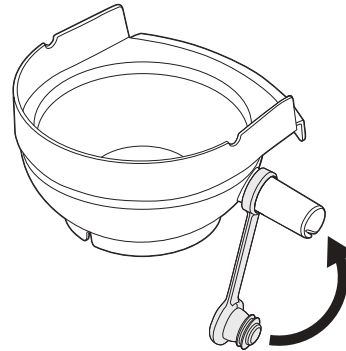
6. Deslice el empujador de alimentos hacia abajo por el tubo de alimentos, de modo que la ranura en el empujador de alimentos se alinee con la pequeña protuberancia en el interior de la parte superior del tubo para alimentos.



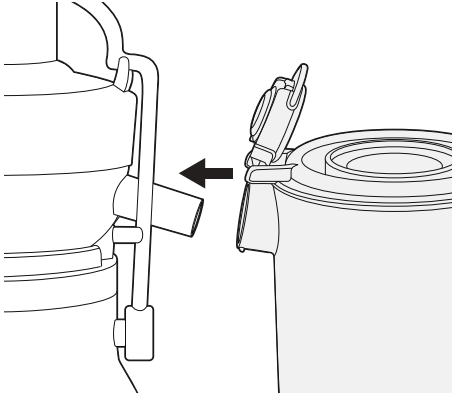
7. Coloque el contenedor de pulpa en su posición, inclinando y levantando ligeramente la base del motor. Inserte el contenedor de pulpa debajo de la tapa del exprimidor en la parte posterior asegurándose de que el borde delantero se inserte debajo del borde posterior del bol del recipiente del filtro, y de que el borde inferior se sujete a la parte inferior de la base del motor.



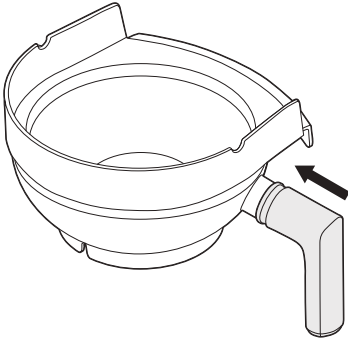
8. El tapón de goteo se puede poner sobre la boquilla de salida de jugo. Luego permite que la salida se conecte para evitar goteos después de extraer el jugo.



9. Ponga la tapa en la jarra de la licuadora y la jarra debajo de la boquilla para jugo.

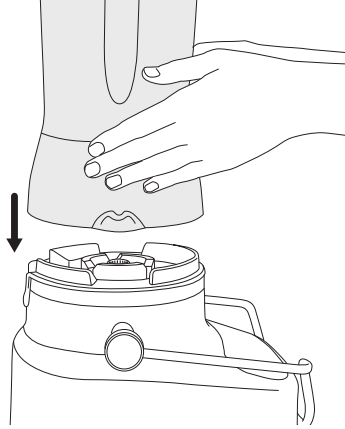


10. Opcional: Para exprimir en una taza, la boquilla de exprimir se puede instalar en la boquilla de salida de jugo.

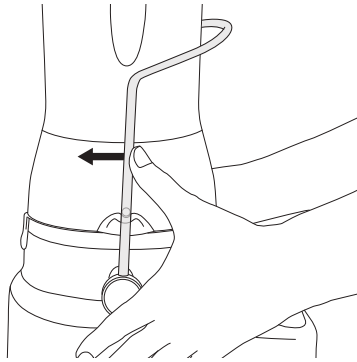


## MEZCLA

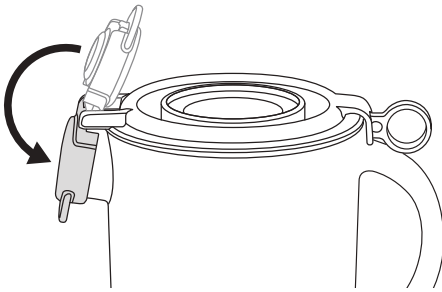
1. Ponga la jarra en la base del motor, en posición vertical. El mango de la licuadora se puede colocar al lado izquierdo o derecho del equipo.



2. Levante el brazo de bloqueo de seguridad y ubíquelo en las dos ranuras a cada lado de la cubierta de la licuadora.



3. Agregue comida o líquido en la jarra de la licuadora asegurándose de no exceder la línea 'MÁX'. Ponga la tapa de la licuadora firmemente en su posición en la parte superior de la jarra de la licuadora. Inserte la tapa transparente de medición interna en la tapa de la licuadora y gírela a favor de las manecillas del reloj para bloquearla en su posición. La jarra cuenta con una tapa Breville® Assist™. Esto permite que la tapa se ajuste firmemente en la jarra de la licuadora, lo que evita que se desplace durante el funcionamiento.
4. Asegúrese de que la cubierta de la boquilla de la tapa de la licuadora esté ajustada en su lugar y cerrada. El diseño de extracción en forma de anillo permite al usuario quitar fácilmente la tapa con una simple acción de palanca.

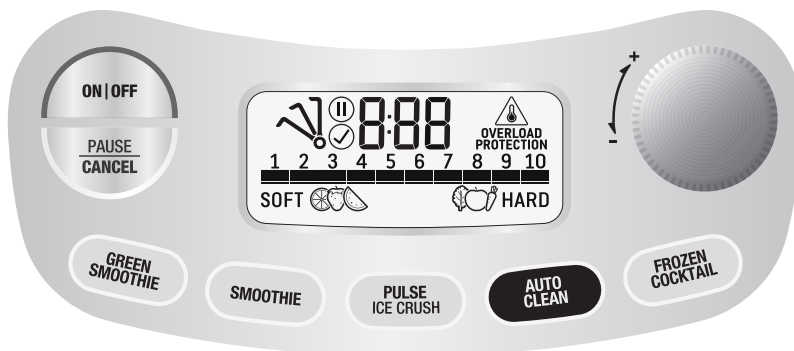


Después de armar el equipo en la configuración de licuadora o exprimidor, enchufe el cable de alimentación a un tomacorriente de 120V.

Presione el botón ON | OFF (Encendido | Apagado) para encender el equipo. El botón ON | OFF (Encendido | Apagado) se iluminará. La pantalla LCD del temporizador se iluminará y mostrará '0:00'.



## Funciones



### PRIMEROS PASOS

El botón ON | OFF (Encendido | Apagado) enciende el equipo en el modo READY (Listo), que parpadeará con una luz roja.

### PROGRAMAS PREDETERMINADOS

#### MEZCLA

El equipo tiene 5 funciones preestablecidas: GREEN SMOOTHIE (BATIDO VERDE), SMOOTHIE (BATIDO), PULSE/ICE CRUSH (PULSO/TRITURAR HIELO), AUTO CLEAN (LIMPIEZA AUTOMÁTICA) y FROZEN COCKTAIL (CÓCTEL CONGELADO).

Estos ciclos preprogramados ajustan automáticamente el tiempo y las velocidades de licuado para optimizar los resultados de la mezcla. Estos programas solo se activan cuando su equipo se encuentra en la configuración de licuadora. No se pueden usar cuando su dispositivo está en la configuración de jugo.

Seleccione la función requerida presionando el botón de función correspondiente. El equipo comenzará a funcionar y el botón de función seleccionado se iluminará. El temporizador comenzará la cuenta regresiva y el programa terminará de forma automática cuando el temporizador llegue a '0:00'.

El programa y el temporizador pueden pausarse presionando el botón de pausa.

Reanude presionando el botón de programa nuevamente, o cancele presionando pausa nuevamente.

El programa también se puede cancelar en cualquier momento presionando el botón ON | OFF (Encendido | Apagado).

Girar el dial de velocidad interrumpirá el programa y pondrá la licuadora en modo manual a partir de la Velocidad 1.

#### GREEN SMOOTHIE (BATIDO VERDE)

Para hacer un batido suave a partir de frutas o verduras enteras. Una combinación de perfiles de alta velocidad descompone las fibras resistentes en partículas muy finas.

#### SMOOTHIE (BATIDO)

Existe una combinación de velocidades y pulsos para los batidos lácteos que está diseñada para combinar y airear ingredientes y formar una textura suave y cremosa.

#### PULSE/ICE CRUSH (PULSO/TRITURAR HIELO)

Un programa de pulsos continuos diseñado para cortar alimentos hasta lograr una consistencia uniforme o picar cubitos de hielo. Use el botón PULSE (Pulso) cuando la comida que se está procesando es demasiado gruesa o densa para circular dentro de la jarra de la licuadora.



La cantidad máxima de cubitos de hielo que la licuadora puede mezclar sin líquido en la jarra en cualquier momento es de 10 cubitos de hielo estándar o aprox. 280 g.

### **AUTO CLEAN (LIMPIEZA AUTOMÁTICA)**

Úselo para eliminar la mayoría de los ingredientes de las paredes y cuchillas de la licuadora. Agregue 2 tazas de agua jabonosa tibia y presione el botón AUTO CLEAN (Limpieza automática). Para ingredientes más pegajosos, espesos o difíciles de limpiar, agregue ½ cucharadita de líquido lavaplatos para aumentar el poder de limpieza. Para obtener mejores resultados, limpie la jarra de la licuadora inmediatamente después de su uso. La función de limpieza automática solo limpia la jarra de la licuadora. No limpia el exprimidor.

### **FROZEN COCKTAIL (CÓCTEL CONGELADO)**

Ideal para crear cócteles y bebidas a base de hielo como Margaritas, Daiquiris y Aguanieve. Un programa de trituración de hielo seguido por un periodo de mezcla breve.

## **OPERACIÓN MANUAL**

### **Dial de control de velocidad**

#### **MEZCLA**

Gire el dial de control de velocidad en el sentido de las agujas del reloj para seleccionar una de las 10 configuraciones de velocidad, desde revolver a velocidad lenta (STIR, configuración de velocidad 1) a pulverizar a velocidad muy rápida (PULVERIZE, configuración de velocidad 10). El temporizador comenzará a contar los segundos y terminará cuando llegue a '1:00'.

La mezcla puede pausarse presionando el botón de pausa. Presione el botón de pausa nuevamente para cancelar, o gire el dial para reanudar la mezcla desde la velocidad 1.

Para detener la mezcla, gire el dial de control de velocidad en contra de las manecillas del reloj hacia la posición READY (Listo) o presione el botón ON | OFF (Encendido|Apagado).

## **COMPATIBLE CON THE VAC Q™**

El 3X Bluiicer Pro es compatible con la bomba de vacío the Vac Q. the Vac Q mejora la textura, los colores y los sabores de algunas de sus mezclas combinadas. Para ciertas recetas, los sabores se mejorarán en gran medida proporcionando batidos verdes más suaves, preparaciones untables más cremosas, salsas delicadas y sopa de gazpacho más sedosa. Para los batidos a base de leche, el aire que atraviesa y queda atrapado en el batido es lo que le da esa textura ligera y burbujeante. the Vac Q se vende por separado.

## **EXTRACCIÓN DE JUGO**

Lave las frutas y verduras que va a exprimir. La mayoría de las frutas y verduras, como las manzanas, las zanahorias y los pepinos, no necesitarán cortarse o picarse en trozos muy pequeños, ya que caben enteros en el tubo para alimentos. Asegúrese de que las verduras como la remolacha, las zanahorias, etc., no tengan rastros de tierra, estén bien lavadas y que no tengan hojas antes de usarlas.

1. Conecte el cable de alimentación a un tomacorriente de 120V.



### **IMPORTANTE**

No cargue el tubo para alimentos antes de que el exprimidor haya alcanzado la velocidad seleccionada.

### **Encendido del exprimidor**

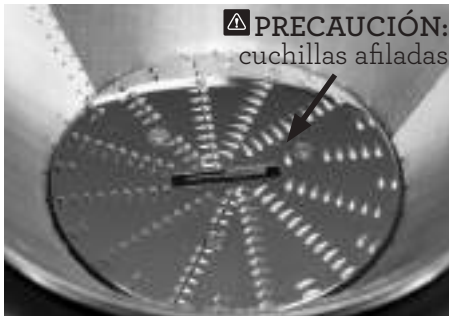
2. Gire el dial al ajuste de velocidad deseado. Use los números del 1 al 5 para frutas y verduras blandas y del 6 al 10 para frutas y verduras duras. Consulte la tabla de la Guía del selector de velocidad en la siguiente página para hacer coincidir la velocidad y el tipo de fruta o verdura para obtener el máximo rendimiento. El rango LOW (Bajo), si bien podría no maximizar el rendimiento de algunas hortalizas, le permite extraer jugo emitiendo una cantidad de ruido significativamente menor.

3. Con el motor en marcha, coloque los alimentos en el tubo para alimentos y use el empujador de alimentos para presionarlos suavemente hacia abajo. Para extraer la máxima cantidad de jugo, siempre empuje los alimentos con el empujador de alimentos de forma lenta.
4. Jarra de la licuadora llena  
Puede seguir haciendo jugo hasta que la jarra alcance la línea MÁX.



### ADVERTENCIA

Nunca use sus dedos, manos o utensilios para empujar alimentos por el tubo para alimentos o para desobstruirlo. Siempre use el empujador de alimentos provisto.



El bol de recubrimiento del filtro de acero inoxidable contiene pequeñas cuchillas afiladas para cortar y procesar frutas y verduras. Evite tocar las cuchillas cuando manipule el filtro.

### GUÍA DEL SELECTOR DE VELOCIDAD

TIPO DE COMIDA	VELOCIDAD
MANZANAS	10
ESPINACA BABY	9
BETABEL	10
ARÁNDANOS	5
BRÓCOLI	7
REPOLLO	9
PIMIENTO	9
ZANAHORIA	10
APIO	4
CÍTRICOS (pelados)	1
PEPINO	4
JENGIBRE	8
UVAS (sin pepas)	2
MELÓN (pelado)	3
KALE	9
KIWI (pelado)	5
MANGO (pelado y sin hueso)	5
MENTA	9
DURAZNO (sin hueso)	5
PERAS	6
PIÑA (pelada)	7
RUIBARBO	8
CALABAZA	9
FRESAS	4
TOMATES	4
SANDÍA (sin cáscara)	3
CALABAZA ITALIANA	6



## Cuidado y limpieza

Asegúrese de que la base del motor esté apagada presionando el botón ON | OFF (Encendido | Apagado). Luego desconecte cable de alimentación.

### CONTENEDOR DE PULPA

Para minimizar la limpieza, puede poner una bolsa biodegradable en el recipiente de pulpa para recogerla.

### BASE DEL MOTOR

Limpie con un paño suave y húmedo. No sumerja la base del motor en ningún líquido.

### LIMPIEZA

1. Retire la jarra de la licuadora.
2. Desenganche la barra de bloqueo, levante todo el conjunto del colector de jugo y llévelo al fregadero.
3. Retire el contenedor de pulpa.

Vacíe la mayor cantidad de pulpa posible en el basurero o contenedor de compost. Enjuague con agua corriente todas las partes después del uso (excepto la base del motor), para eliminar la mayoría del jugo y la pulpa. Use solo agua jabonosa tibia con un paño suave.

Para evitar que los alimentos se peguen en las cuchillas, malla o en las partes transparentes, enjuague y lave las partes del extractor lo antes posible luego de usarlo.

### JARRA Y TAPA

Para mantener limpios el bol y la tapa, y evitar que se sequen los alimentos adheridos a ellos, siga estos pasos lo antes posible después de su uso.

Enjuague la mayoría de los restos de ingredientes del bol y la tapa.

Llene la jarra con 2 tazas de agua tibia, ponga la tapa y presione el botón AUTO CLEAN (Limpieza automática). Si los ingredientes

espesos o pegajosos siguen adheridos, agregue  $\frac{1}{2}$  cucharadita de detergente líquido para platos y 2 tazas de agua tibia.

Enjuague la jarra y la tapa nuevamente o lave las partes por separado con agua jabonosa tibia y un paño suave o un cepillo para botellas.

Es más efectivo limpiar la jarra inmediatamente después de usarla.

### FILTRO

Para garantizar que los resultados de la extracción del jugo sean consistentes, siempre limpie el filtro muy bien inmediatamente después de su uso con el cepillo incluido.

Si la pulpa se seca, puede obstruir los pequeños poros de la malla del filtro, lo que puede afectar la extracción del jugo. De ser necesario, el filtro se puede remojar en agua jabonosa caliente durante 10 minutos.

### LAVAVAJILLAS

Todas las partes son aptas para lavavajillas, a excepción de la base del motor y el empujador de alimentos. La jarra de la licuadora se puede poner en el estante inferior del lavavajillas; sin embargo, la tapa y el vaso medidor interno se deben lavar solo en el estante superior. Más allá de lo anterior, lavar las piezas regularmente en el lavavajillas puede acortar su vida útil debido a la exposición prolongada a detergentes abrasivos, agua caliente y presión.

La limpieza de las piezas en el lavavajillas también puede provocar su deterioro. Inspeccione las piezas regularmente y deje de usar el producto si nota algún indicio de daños.

### ELEMENTOS DE LIMPIEZA

No use esponjas abrasivas ni limpiadores para limpiar la base del motor o la jarra, ya que pueden rayar la superficie. Use solo agua jabonosa tibia con un paño suave.

## MANCHAS DE ALIMENTOS DIFÍCILES DE REMOVER

Los alimentos de olor fuerte como el ajo o el pescado, o algunas verduras como las zanahorias, pueden dejar olores o manchar la jarra de la licuadora o la tapa. Para retirar, remoje la jarra y la tapa de la licuadora durante 5 minutos en agua jabonosa tibia. Luego lave con un detergente suave y agua tibia y enjuague y seque bien. Guarde la jarra con la tapa abierta.

## ALMACENAMIENTO

Guarde el equipo en posición vertical y ponga la jarra en la base del motor, también en posición vertical. No ponga nada encima. Mantenga la tapa cerrada para permitir que circule el aire.




### ADVERTENCIA

Los aceites de la cáscara de los cítricos pueden dañar el material de la jarra de la licuadora si se expone a ellos durante un período más prolongado. Siempre limpie la jarra de la licuadora inmediatamente después de procesar la cáscara de los cítricos.



## Solucionar problemas

**La pantalla LCD se enciende pero el dispositivo no responde a los controles.**

- El brazo de bloqueo de seguridad no engancha correctamente en la posición vertical. En este caso, la pantalla LCD mostrará un mensaje animado . Revise que la cubierta superior está alineada de forma correcta y que el brazo de bloqueo de seguridad está posicionado entre las dos ranuras en los lados de la cubierta del exprimidor o del jarro de la licuadora.

**Todas las luces del panel de control parpadean y la protección contra sobrecarga se muestra en la pantalla LCD**

- Esto indica que la protección contra sobrecarga del motor está activada debido al sobrecalentamiento o detenimiento del motor.
- Para restablecer el protector, desenchúfelo de la fuente de alimentación y luego vuelva a enchufarlo y encenderlo.
- Si todavía se muestra la protección contra sobrecarga, desenchufe el aparato y déjelo enfriar durante al menos 30 minutos e intente nuevamente más tarde. El equipo debe desconectarse mientras se enfría para reiniciarlo correctamente.
- Si el problema persiste después de dejar que se enfríe, puede tratarse de un problema interno. Llame al Servicio de atención al cliente de Breville o al Centro de Servicios Breville más cercano.
- Tenga en cuenta que activar la protección contra sobrecarga indica un uso anormal del aparato, como una carga excesiva en la jarra de la licuadora, una fuerza de empuje excesiva al exprimir o un uso continuo prolongado. Tome nota de las condiciones y consulte toda la información en estas instrucciones para evitar que esto ocurra y prolongar la vida útil del equipo.

### MEZCLA

**La comida se corta de manera desigual**

- Esto puede suceder cuando se agrega demasiada comida a la vez. Pruebe una cantidad menor y hágalo en tandas si es necesario.

**La comida está picada demasiado fina o es acuosa**

- Intente mezclar por un período de tiempo más corto. Use la función PULSE (Pulso) para un mejor control.

## EXTRACCIÓN DE JUGO

**Se acumula un exceso de pulpa en el filtro de acero inoxidable**

- Apague el equipo. Desarme el exprimidor para sacar el exceso de pulpa.
- Vuelva a armar y continúe haciendo jugo. Alternar los ingredientes blandos y duros puede ayudar a evitar este problema.

**Pulpa demasiado húmeda y poca cantidad de jugo extraído**

- Cuanto más limpio esté el filtro, mejor será la producción de jugo y más seca será la pulpa. Asegúrese de limpiar el exprimidor a fondo lo antes posible después de cada uso. Retire el filtro de acero inoxidable y limpie bien la malla con el cepillo de limpieza. Enjuague el filtro con agua caliente. Si los agujeros de malla están obstruidos, sumerja el filtro en una solución de agua caliente con jugo de limón al 10% para desatascarlos, o lave el filtro en el lavavajillas (rejilla superior). Esto eliminará el exceso de acumulación de fibra que podría estar obstruyendo el flujo.
- La fuerza de empuje podría reducir el rendimiento porque ralentiza el motor. Evite hacer presión contra el empujador de alimentos cuando empuje los ingredientes por el tubo para alimentos.
- Si exprime grandes cantidades de ingredientes fibrosos como el ruibarbo y la piña puede ser necesario parar para limpiar el filtro.

**Hay una filtración de jugo entre el bol del recubrimiento del filtro y la cubierta del exprimidor**

- Intente con una velocidad de extracción más lenta e introduzca el empujador de alimentos por el tubo para alimentos más lentamente.
- Asegúrese de que no exista acumulación en el filtro.

**El jugo sale por la boquilla**

- El jugo se está extrayendo demasiado rápido. Intente con una velocidad de extracción más lenta (dentro de lo posible) e introduzca el empujador de alimentos por el tubo para alimentos más lentamente.

**El motor parece detenerse durante la extracción de jugo**

- La pulpa húmeda se puede acumular debajo de la cubierta del exprimidor y detener el funcionamiento del equipo si se usa en exceso sin limpiarlo. Si esto ocurre, desarme y siga las instrucciones de limpieza para el bol de recubrimiento del filtro, para el filtro de acero inoxidable y para la cubierta del exprimidor.
- El equipo también se puede detener si se usa fuerza excesiva para empujar los alimentos por el tubo para alimentos. Si esto ocurre, asegúrese de usar una presión más suave para empujar los alimentos por el tubo.
- Encienda el equipo antes de poner los ingredientes en el tubo para alimentos. Empujar los ingredientes hacia abajo antes de que el motor alcance la velocidad máxima puede provocar su detención o sobrecarga.
- Las frutas y verduras duras ejercerán un exceso de tensión en el motor si selecciona una velocidad baja. Consulte la guía de referencia para determinar la velocidad correcta de las frutas y verduras seleccionadas para exprimir.



Notas

# Breville Consumer Support

**USA**      **Mail:** Breville USA  
19400 S. Western Ave, Torrance CA  
90501-1119

**Phone:** 1-866-273-8455  
1-866-BREVILLE

**Web:** [breville.com/us/support](http://breville.com/us/support)

**Canada**      **Mail:** Breville Canada  
9800 Boulevard Cavendish,  
Suite 250, Saint-Laurent  
Québec, H4M 2V9

**Phone:** 1-855-683-3535

**Web:** [breville.ca/support](http://breville.ca/support)

**Mexico**      **Mail:** Breville México, S.A. de C.V.  
Blvd. Miguel de Cervantes Saavedra # 169  
Col. Granada C.P. 11520  
Delegación Miguel Hidalgo  
CDMX México

**Phone:** 1-800-953-1668

**Web:** [breville.mx/support](http://breville.mx/support)

# Breville®

Master Every Moment™

Breville is a registered trademark of Breville Pty. Ltd. A.B.N. 98 000 092 928.  
Copyright Breville Pty. Ltd. 2020.

- Due to continued product improvement, the products illustrated/photographed in this brochure may vary slightly from the actual product.
- En raison de son amélioration continue, le produit représenté sur cet emballage peut différer légèrement du produit réel.
- Perfeccionamos nuestros productos continuamente, por lo que el artículo podría diferir ligeramente de la ilustración o imagen en este documento.

BJB815 Series • Séries • Serie

USCM – E20